



HotSpring[®]
Portable Spas



Owner's Manual
50 Hz

Watkins Manufacturing Corporation congratulates you on your decision to enjoy the finest spa available... Welcome to the growing family of Hot Spring[®] spa owners.



HotSpring[®]
Portable Spas

OWNER'S MANUAL

This Owner's Manual will acquaint you with the operation and general maintenance of your new spa. We suggest that you take some time to carefully review all ten sections. Please keep this manual available for reference.

If you have any questions about any aspect of your spa's set-up, operation or maintenance, contact your authorized *Hot Spring* dealership. They are trained professionals who are familiar with the product as well as new spa ownership concerns. Their expertise will facilitate the enjoyment of your new *Hot Spring* spa.

The serial number label is located within the equipment compartment of your *Hot Spring* spa.

IMPORTANT: Watkins Manufacturing Corporation reserves the right to change specifications, or design, without notification and without incurring any obligation.

DATE PURCHASED: _____

DATE INSTALLED: _____

DEALER: _____

ADDRESS: _____

TELEPHONE: _____

SPA MODEL/SERIAL NUMBER: _____

COVER SERIAL NUMBER: _____

ACCESSORY SERIAL NUMBERS: _____



In most cities and counties, permits will be required for the installation of electrical circuits or the construction of exterior surfaces (decks and gazebos). In addition, some communities have adopted residential barrier codes which may require fencing and/or self-closing gates on the property to prevent unsupervised access to a pool (or spa) by children under 5 years of age. Your Hot Spring spa is equipped with a locking cover that meets the ASTM F1346-91 Standard for Safety Covers and as a result, is usually exempt from most barrier requirements. As a general practice, your local Building Department will inform you of any applicable barrier requirements at the time a permit is obtained for the installation of an electrical circuit. Your Hot Spring dealer can provide information on which permits may be required.

TABLE OF CONTENTS

SAFETY INFORMATION

Important Safety Instructions	1
Important Spa Instructions	3

SPA SPECIFICATIONS

4

INSTALLATION INSTRUCTIONS

Site Preparation	5
Outdoor and Patio Installation	5
Deck Installation	5
Indoor/Basement Installation	5
Spa Leveling Instructions	6

CONTROLS AND EQUIPMENT

SUMMIT® (Model SSE)	17
GRANDEE® (Model GGE)	18
ENVOY® (Model KKE)	19
ARIA® (Model ARE)	20
VANGUARD® (Model VVE)	21
SOVEREIGN® (Model IIE)	22
PRODIGY® (Model HE)	23
JETSETTER® (Model JJE)	24

ELECTRICAL REQUIREMENTS AND PRECAUTIONS

25

OPERATING INSTRUCTIONS

230 Volt Permanently Connected Models	27
Start-Up and Refill Procedures	28
SmartJet® System	28
Comfort Control® System	28
Moto-Massage® Jet	28
Moto-Massage DX Jet	28
Hydromassage Jets	29
Soothing Seven® Jet	29
Precision® Jets	29
JetStream® Jet	29
Water Feature	29

CONTROL PANEL OPERATIONS

29

Main Control Panels	30
Home Screen	31
Temperature Control	31
Locking Features	32
Jets Control	32
Light Control	33
Summer Timer	33
Miscellaneous Functions	34
Auxiliary Control Panel	34

JET MENUS

SUMMIT (Model SSE)	36
GRANDEE (Model GGE)	37
ENVOY (Model KKE)	38
ARIA (Model ARE)	39
VANGUARD (Model VVE)	40
SOVEREIGN (Model IIE)	41
PRODIGY (Model HE)	42
JETSETTER (Model JJE)	43

SPA CARE AND MAINTENANCE

General Information	44
Draining the Water	44
Prevention of Freezing	44
Filter System	45
Filter Cartridges Removal and Cleaning	46
Care of the Spa Pillows	46
Care of the Exterior	46
Care of the Spa Cover	47
Retractable Cover Systems	47
Vacation Care Instructions	48

WATER QUALITY AND MAINTENANCE

General Information	49
Methods for Testing the Spa Water	49
Hot Spring Spa Water Maintenance Program	50
Watkins Water Treatment Guide	52
EverFresh® Water Care System	52
Freshwater Ag+® Silver Ion Purifier Replacement	53
Chlorine (Sodium Dichlor)	54
Ozone	55
Common Water Chemistry Questions	56
Water Terminology	57

SERVICE INFORMATION

General Information	58
GFCI and High Limit Thermostat	58
No-Fault® Heater and Integrated Pressure Switch	58
Silent Flo® 5000 Circulation Pump and Circulation Pump Thermal Cut-off	59
Freshwater® III High Output Ozone System	59
Miscellaneous Service Information	59
Acts Invalidating Warranty	59
Disclaimers	60
Watkins Customer Service	60
Troubleshooting Guides	61
Spa Care and Maintenance Record	62

SAFETY INFORMATION

IMPORTANT SAFETY INSTRUCTIONS

(READ AND FOLLOW ALL INSTRUCTIONS)

AVOIDING THE RISK TO CHILDREN

DANGER:

- **RISK OF CHILD DROWNING.** Extreme caution must be exercised to prevent unauthorized access by children. To avoid accidents, ensure that children cannot use a spa unless they are supervised at all times.

WARNING:

- To reduce the risk of injury, do not permit children to use this spa unless they are closely supervised at all times.
- To reduce the risk of injury, lower water temperatures are recommended for young children. Children are especially sensitive to hot water.

DO:

- Make sure you always lock the child resistant locks after using the spa for your children's safety. Every *Hot Spring* spa is equipped with a locking cover that meets the ASTM F1346-91 Standard for Safety Covers.
- Test the water temperature with your hand before allowing children to enter the spa to be sure that it's comfortable. Children are especially sensitive to hot water.
- Remind children that wet surfaces can be very slippery. Make sure that children are careful when entering, or exiting the spa.

DON'T:

- Allow children to climb onto the spa cover.
- Allow children to have unsupervised access to the spa.

AVOIDING THE RISK OF ELECTROCUTION

RISK OF ELECTROCUTION

- Connect only to a grounded source.
- Do not bury the power cord. A buried power cord may result in death, or serious personal injury due to electrocution if direct burial-type cable is not used, or if improper digging occurs.
- A ground terminal (pressure wire connector) is provided on the control box inside the unit to permit connection of a minimum 6 mm² (No. 10 AWG) solid copper bonding conductor between this point and any metal equipment, metal water pipe, metal enclosures of electrical equipment, or conduit within 1.5 m (five feet) of the unit as needed to comply with local requirements.
- Do not operate the audio main controls while inside the spa (if spa is equipped with an audio component).
- Do not connect any auxiliary components (for example, cable additional speakers, headphones, additional audio components) to the audio system unless approved by Watkins Manufacturing Corporation .
- Do not self service audio component by opening or removing cover as this may expose dangerous voltage or other risk of injury. Refer all servicing to qualified service personnel.
- Do not attach an external antennae to a spa audio system unless installed by a licensed electrician in accordance with National Electric Code.

WARNING:

- To reduce the risk of electrical shock, replace a damaged cord immediately. Failure to do so may result in death or serious personal injury due to electrocution.
- Always test the Ground Fault Circuit Interrupter (GFCI) before each use of the spa. If the GFCI does not perform properly, a ground current is flowing indicating the possibility of electric shock. Disconnect power to the spa until the fault has been identified and corrected.

NOTE: Failure to wait 30 seconds before resetting the GFCI may cause the spa's Power Indicator (on the control panel) to blink. If this occurs, repeat the GFCI test procedure.

- Install the spa so proper drainage is provided for the compartment containing the electrical components.

DANGER: RISK OF ELECTRICAL SHOCK

- Install at least 1.5 m (5 feet) from all metal surfaces. A spa may be installed within 1.5 m (5 feet) of a metal surface if each metal surface is permanently connected by a minimum 6mm² solid copper conductor attached to the wire ground connector on the terminal box that is provided.
- Install the spa so proper drainage is provided for the compartment containing the electrical components.

- Do not permit any electrical appliances, such as a light, telephone, radio, or television within 1.5 m (5 feet) of a spa. Failure to maintain a safe distance may result in death, or serious personal injury due to electrocution, if the appliance should fall into the spa.

DO:

- Be sure your spa is connected to the power supply correctly - use a licensed electrical contractor.
- Disconnect the spa from the power supply before draining the spa or servicing the electrical components.
- Test the Ground Fault Circuit Interrupter(s) before each use.
- Replace audio components only with identical components (if your spa is equipped with an audio component).

DON'T:

- Use the spa with the equipment compartment door removed.
- Place electrical appliances within 1.5 m (5 feet) of the spa.
- Use an extension cord to connect the spa to its power source. The cord may not be properly grounded and the connection is a shock hazard. An extension cord may cause a voltage drop, which will cause overheating of the jet pump motor and motor damage.
- Attempt to open the electrical control box. There are no user serviceable parts inside.
- Leave audio compartment door open (if your spa is equipped with an audio component).

RISKS TO AVOID



DANGER: RISK OF INJURY

- To reduce the risk of injury to persons, DO NOT remove suction fittings (filter standpipes) located in the filter compartment.
- The suction fittings in the spa are sized to match the specific water flow created by the pump. Never replace a suction fitting with one rated less than the flow rate marked on the original suction fitting.
- There is a danger of slipping and falling. Remember that wet surfaces can be very slippery. Take care when entering or exiting the spa.
- Never operate spa if the suction fittings are broken or missing.
- People with infectious diseases should not use the spa.
- Keep any loose articles of clothing, long hair or hanging jewelry away from rotating jets or other moving components.

INCREASED SIDE EFFECTS OF MEDICATION

- The use of drugs, alcohol, or medication before or during spa use may lead to unconsciousness with the possibility of drowning.
- Persons using medications should consult a physician before using a spa; some medication may cause a user to become drowsy, while other medication may affect heart rate, blood pressure, and circulation.
- Persons taking medications which induce drowsiness, such as tranquilizers, antihistamines or anticoagulants should not use the spa.

HEALTH PROBLEMS AFFECTED BY SPA USE

- Pregnant women should consult a physician before using spa.
- Persons suffering from obesity, or with a medical history of heart disease, low or high blood pressure, circulatory system problems, or diabetes should consult a physician before using spa.

UNCLEAN WATER

- Keep the water clean and sanitized with correct chemical care. The recommended levels for your *Hot Spring* spa are:

- Free Available Chlorine (FAC):	3.0-5.0 ppm	- Total Alkalinity:	125-150 ppm
- Water pH:	7.4-7.6	- Calcium Hardness:	150-200 ppm

(Refer to Water Quality and Maintenance section for complete instructions.)

IMPORTANT: Turn on the jet pump for a least ten minutes after adding ANY spa water chemicals into the filter compartment.

- Clean the filter cartridges monthly to remove debris and mineral buildup which may affect the performance of the hydromassage jets, limit the flow, or trip the high limit thermostat, which will turn off the entire spa.

AVOIDING THE RISK OF HYPERTHERMIA

Prolonged immersion in hot water can result in HYPERTHERMIA, a dangerous condition which occurs when the internal temperature of the body reaches a level above normal 37°C (98.6°F). The symptoms of hyperthermia include unawareness of impending hazard, failure to perceive heat, failure to recognize the need to exit the spa, physical inability to exit the spa, fetal damage in pregnant women, and unconsciousness resulting in a danger of drowning.



WARNING:

The use of alcohol, drugs, or medication can greatly increase the risk of fatal hyperthermia in hot tubs and spas.

TO REDUCE THE RISK OF INJURY:

- The water in the spa should never exceed 40°C (104°F). Water temperatures between 36°C and 40°C (100°F and 104°F) are considered safe for a healthy adult. Lower water temperatures are recommended for extended use (exceeding ten minutes) and for young children. Extended use can cause hyperthermia.
- Pregnant or possibly pregnant women should limit spa water temperatures to 36°C (100°F). Failure to do so may result in permanent injury to your baby.
- Do not use spa immediately following strenuous exercise.

AVOIDING THE RISK OF SKIN BURNS:

- To reduce the risk of injury, before entering a spa the user should measure the water temperature with an accurate thermometer.
- Test the water with your hand before entering the spa to be sure it's comfortable.

IMPORTANT SPA INSTRUCTIONS

The following contains important spa information, and we strongly encourage you to read and apply them.

DO:

- Use and lock the vinyl cover when the spa is not in use, whether it is empty or full.
- Follow the Spa Care and Maintenance recommendations stated in this manual.
- Use only approved accessories and recommended spa chemicals and cleaners.

DON'T:

- Leave the Hot Spring spa exposed to the sun without water or the cover in place. Exposure to direct sunlight can cause solar distress of the shell material.
- Roll or slide the spa on its side. This will damage the siding.
- Lift or drag the vinyl cover by using the cover lock straps; always lift or carry the cover by using the handles.
- Attempt to open the electrical control box. There are no user serviceable parts inside. Opening of the control box by the spa owner will void the warranty. If you have an operational problem, carefully go through the steps outlined in the Troubleshooting section. If you are not able to resolve the problem, contact your authorized Hot Spring dealer. Many problems can easily be diagnosed over the telephone by an Authorized Service Technician.

SAVE THESE INSTRUCTIONS

SPA SPECIFICATIONS

	Footprint dimensions	Height	Effective filter area	Heater (Watts)	Water capacity	Dry weight	Filled weight*	Dead weight	Electrical Requirements
<i>Summit</i> (Model SSE)	2.31m x 2.54m	97cm	30m ^{2**}	1,500	1,893 liters	457 kg	2,748 kg	555 kg/m ²	230 volt, 20 amp ¹ Single phase GFCI ² protected circuit
<i>Grandee</i> (Model GGE)	2.31m x 2.54m	97cm	30m ^{2**}	1,500	1,893 liters	457 kg	2,872 kg	555 kg/m ²	230 volt, 20 amp ¹ Single phase GFCI ² protected circuit
<i>Envoy</i> (Model KKE)	2.36m x 2.26m	91 cm	30m ^{2**}	1,500	1,703 litres	397 kg	2,427 kg	540 kg/m ²	230 volt, 16 amp ¹ Single phase GFCI ² protected circuit
<i>Aria</i> (Model ARE)	2.20m x 2.20m	91cm	30m ^{2**}	1,500	1382 liters	318 kg	2,156 kg	540 kg/m ²	230 volt, 20 amp ¹ Single phase GFCI ² protected circuit
<i>Vanguard</i> (Model VVE)	2.20m x 2.20m	91 cm	14m ²	1,500	1,514 litres	358 kg	2,286 kg	540 kg/m ²	230 volt, 16 amp ¹ Single phase GFCI ² protected circuit
<i>Sovereign</i> (Model IIE)	2.03m x 2.36m	84 cm	11m ²	1,500	1,344 litres	322 kg	2,088 kg	500 kg/m ²	230 volt, 16 amp ¹ Single phase GFCI ² protected circuit
<i>Prodigy</i> (Model HE)	1.88m x 2.21m	84 cm	8 m ²	1,500	1,230 litres	278 kg	1,854 kg	500 kg/m ²	230 volt, 16 amp ¹ Single phase GFCI ² protected circuit
<i>Jetsetter</i> (Model JJE)	1.65m x 2.13m	74 cm	8 m ²	1,500	851 litres	204 kg	1,283 kg	425 kg/m ²	230 volt, 16 amp ¹ Single phase GFCI ² protected circuit

⚠ **CAUTION:** Watkins Manufacturing Corporation suggests a structural engineer or contractor be consulted before the spa is placed on an elevated deck.

1 The current rating (Amps) may vary, depending on the country. Contact your *Hot Spring* dealer for specific information regarding your spa model.

2 The GFCI may also be referred to as an ELCB (Earth Leakage Circuit Breaker) or as an RCD (Residual Current Device).

* **NOTE:** The "Filled weight" and "Dead weight" of the spa includes the weight of the occupants (assuming an average occupant weight of 79.5 Kg [175 lbs]).

** Effective filter area is based on 0.6 m² actual area per filter (5 filters used) with 10 times effectivity rating.

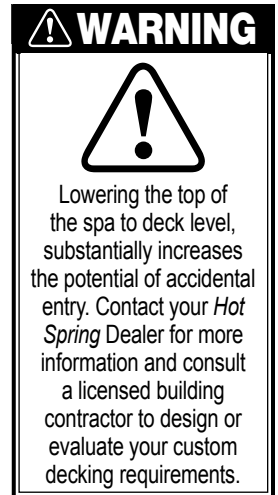
INSTALLATION INSTRUCTIONS

SITE PREPARATION

You probably have a spot picked out for your new spa, whether it's indoors or outdoors, on a patio or on a deck. Just make sure you check the following:

- Always put your spa on a structurally sound, level surface. A filled spa can weigh a great deal. Make certain that the location you choose can support the weight.
- Don't forget to level your spa before filling it. (See Spa Leveling Instructions.)
- Be sure to locate your equipment compartment, which houses all of the electrical components, in a place where water drainage will be away from it. Allowing water into the equipment compartment can cause damage to the electronics, or may result in tripping the circuit breaker on your house's electrical panel.
- Leave yourself easy access to the circuit breakers.
- Leave access to the equipment compartment for periodic spa care and maintenance.

⚠ **WARNING: Damage to the spa's equipment compartment components or internal plumbing as a result of rodent infestation is NOT covered under your warranty!**



OUTDOOR AND PATIO INSTALLATION

No matter where you put your new spa, it's important that it has a solid foundation to support it. In fact, structural damage to the spa, resulting from incorrect installation, or placement on an inadequate foundation, is not covered under the spa's limited warranty.

If you install the spa outdoors, we recommend a reinforced concrete pad at least ten centimeters (four inches) thick. The reinforcing rod or mesh in the pad should be attached to a 6 mm² bonding wire per national electrical codes (contact your local electrical code compliance inspector for more information; inspection for proper grounding may be required before pouring concrete to form the slab).

If you place the spa on the ground, even temporarily, place stepping stones under the leveling areas (see Spa Leveling Instructions). The stones should be at least 5 cm thick and 30 cm square. Even with stones in place, the spa will inevitably settle and become unlevel. Plus, a spa surrounded by dirt or grass will soon be filled with dirt or grass from users' feet. So get it onto a solid foundation as soon as possible.

DECK INSTALLATION

To be certain your deck can support your spa, you must know the deck's maximum load capacity. Consult a qualified building contractor or structural engineer. To find the weight of your spa, its contents and occupants, refer to the Spa Specification chart. This weight per square meter must not exceed the structure's rated capacity, or serious structural damage could result.

CAUTION: Watkins Manufacturing suggests a structural engineer or contractor be consulted before the spa is placed on an elevated deck.

INDOOR/BASEMENT INSTALLATION

Be aware of some special requirements if you place your spa indoors. Water will accumulate around the spa, so flooring materials must provide a good grip when wet. Proper drainage is essential to prevent a build-up of water around the spa. When building a new room for the spa it is recommended that a floor drain be installed. The humidity will naturally increase with the spa installed. Water may get into woodwork and produce dry rot, mildew, or other problems. Check for airborne moisture's effects on exposed wood, paper, etc. in the room. To minimize these effects, it is best to provide plenty of ventilation to the spa area. An architect can help to determine if more ventilation must be installed.

Hot Spring spas is equipped with a vent to remove excessive heat from the equipment compartment. Find this vent (its under the bottom front left or right corner) and be sure the vent is not blocked by anything, including carpeting.

Your *Hot Spring* dealer can help you with local information such as zoning regulations and building codes. They can also give you a copy of our planning guide.

CAUTION: Do not install the spa on a heated floor.

⚠ **WARNING: Please keep the area around your spa well ventilated when it is installed indoors or in a confined area.** Inadequate ventilation around the spa could cause a build-up of a higher-than-normal concentration of spa chemicals and/or bacterial fragments. These dispersed spa chemicals and/or bacterial fragments can be inhaled, and may result in breathing difficulties or lung damage in certain people suffering from a compromised immune system or respiratory infection. If you or other bathers are affected by this condition, please seek medical attention as soon as possible.

In addition to the above, properly clean and maintain your spa as follows:

- Follow all procedures in this owner's manual and printed instructions on all water care (chemical) products packaging.
- Test the water regularly to ensure proper levels of sanitizers, pH, and other water care requirements.
- Drain, clean, and refill your spa with fresh water on a regular schedule, and in accordance with this owner's manual.
- Clean the filter(s) at least once per month.
- Check to make sure you have proper circulation throughout your spa water system.
- Have spa users bathe before entering the spa water.

SPA LEVELING INSTRUCTIONS

In order for your Hot Spring® spa to operate properly, and the internal plumbing to drain completely, the spa must be level.

⚠ **WARNING:** Watkins Manufacturing Corporation recommends that a structural engineer or contractor be consulted prior to placing the spa on an elevated deck, or platform. Use the Dead Weight in the Spa Specification chart to determine the structure's requirements.

IMPORTANT: Watkins Manufacturing Corporation reserves the right to change any specifications or design without incurring any obligation.

Approved Shim Material

- Cedar shingles
- Exterior rated plywood
- Redwood
- Exterior rated lumber

The shims used should vary in thickness from 0.5 cm to 1.0 cm and should be cut into 5 cm x 10 cm rectangles.

NOTE: Due to the large size of the Summit and Grandee spa Watkins Manufacturing Corporation requires the spa be installed on a level 10 cm thick concrete pad or structurally engineered deck and NOT shimmed in any manner.

Leveling Instructions

1. Using a 2 M carpenter's level (or a shorter level and a straight board 5 cm by 10 cm, 2.5 m long), check the spa to identify the highest, and lowest corners.
2. With one end of the level resting on the highest corner of the spa (and the opposite end resting on the lowest corner), gently raise the lower end of the level by placing shims between the spa shell and the level, until the level itself is level. This will tell you how many shims are needed at that lowest corner.
3. Now carefully pivot the level, keeping the shimmed end where it is, until the pivot end of the level rests on one of the other corners. Check the level. Adjust the end of the level using the procedure above. Carefully pivot the level again to the last corner, leaving the pivot end at its original location, and repeat the procedure. Whatever shims are on the three corners are the ones you will place under those corners in the next steps.
4. Remove the level and set it aside. Carefully remove the shims and keep them together, remembering the corner from which each set of shims came.
5. With more than one person lifting, lift the lowest side of the spa (the one with the most shims), and place a 10 cm x 10 cm block under the spa pedestal, at the center of the side lifted.
6. Refer to the spa pedestal support diagram for your spa to locate the leveling points for the elevated corners. Place the set of shims corresponding to each corner directly under its designated leveling point.
7. Lift the spa, remove the support block, and set the spa on the shims. Repeat steps 5 through 7, if necessary, for the opposite side of the spa.
8. Use the level to check the level of the spa. Make any necessary adjustments.
9. Refer to the spa pedestal support diagram for your spa to locate the remaining leveling points, each of which must now also be shimmed, and carefully slide "helper" shims under the spa at their designated locations. These helper shims should create a snug fit between the foundation and the spa pedestal structure. If it is necessary to lift the spa in order to place the helper shims, use care not to kick out the original corner shims.

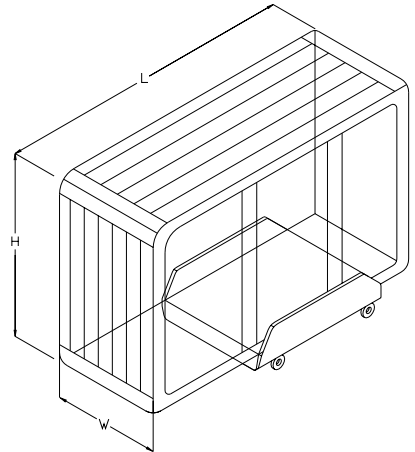
The following base support diagrams for the Envoy, Vanguard, Sovereign, Aria, Prodigy & Jetsetter spas indicate the recommended shimming points.

Notice: Though designed for outdoor installation, your Hot Spring spa is not impervious to damage that may be caused by insects, rodents, or other living creatures. A screen at the bottom of the spa's equipment compartment is designed to minimize their ability to access the equipment compartment and cause damage to the spa components. Please note, the electronics within the compartment need adequate airflow to cool the equipment and maintain the optimal temperature range. Sealing the opening completely, or allowing debris to build-up on the screen mesh, will adversely affect the spas' performance. Damage to the spa or its components caused by an "act of nature", rodent or insect damage is not covered under the terms of your spa's Limited Warranty.

DELIVERY ACCESS

First, locate the dimensions of your spa on the following chart. The dimensions shown are the measurements of the spa in the vertical position, laid on its side.

Model	Width W	Length L	Height H
Summit (SSE)	96 cm	254 cm	231 cm
Grandee (GGE)	96 cm	254 cm	231 cm
Envoy (KKE)	91 cm	236 cm	226 cm
Aria (ARE)	91 cm	220 cm	220 cm
Vanguard (VVE)	91 cm	220 cm	220 cm
Sovereign (IIE)	84 cm	236 cm	203 cm
Prodigy (HE)	84 cm	220 cm	288 cm
Jetsetter (JJE)	74 cm	213 cm	165 cm



Next, contact your dealer to find the height and width added by the delivery cart which the dealer will use to deliver your new spa. Use the height of the cart plus the dimension shown as H to determine the vertical clearance required to pass the spa and cart. Use the width of the cart, or dimension W, whichever is greater, to determine the maximum width of clearance necessary.

NOTE: It may be necessary to allow for additional over-head clearance if the spa will be rolled up or down an incline or moved up or down a short flight of stairs.

Use the information above to determine the requirements for access to your desired location.

It may be necessary to remove a gate, part of a fence, or other movable obstructions in order to roll the spa to its installation site.

If the spa has to be taken off the cart to go over a wall (either because the entry area is too narrow, the eaves are too low, the corner is too tight, or the stairway is too steep), a crane will be required. This is a common practice.

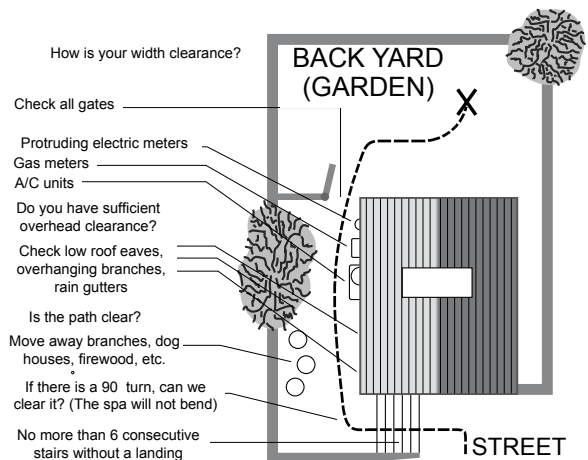
The crane has a truck-mounted boom which can fit right in your driveway. It must be run by a licensed and insured operator. For a charge, the crane operator will lift your spa over walls, buildings, or any other obstruction and place it as close to the installation site as possible. Crane delivery typically takes an average of 60 minutes to complete.

NOTE: If your spa delivery requires the use of a crane, you may be required to pay for its services at the completion of the delivery.

GROUND PREPARATION

Your *Hot Spring* spa has been engineered to perform on all kinds of common surfaces. While a concrete slab is best for long-term use*, other foundations are acceptable so long as a level base is prepared prior to delivery. Three foundation base pictures, shown at right, represent examples of alternatives to a concrete slab for spas installed without gazebos or other accessories.

*NOTE: A reinforced concrete pad at least 10 cm (4 inches) thick is required for the *Summit* & *Grandee* spas, and recommended for the *Vanguard*, *Envoy*, and *Aria* spas.



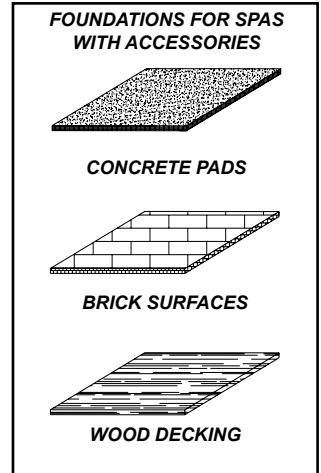
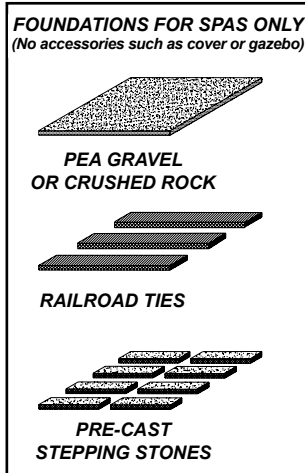
INSTALLATION NOTES:

- If stepping stones or railroad ties are selected for the spa foundation, they should be placed at the designated leveling areas of your spa to maintain even distribution of the spa weight.
- It is important to note that soft surfaces, even when stepping stones are used to evenly distribute the weight of the spa, will still have a tendency to settle, resulting in an unlevel spa.
- Remember, placing the spa on grass or dirt may increase the amount of debris which is inadvertently brought into the spa water on the user's feet.

If you are purchasing a deck package or a gazebo with your spa, a solid foundation is mandatory. Placing them on any surface other than a single level pad could create problems with their installation. Pictured (right side) are a few of the recommended surfaces.

As a homeowner, it is your responsibility to provide a suitable, level foundation for your spa. Keep in mind that most delivery crews are not equipped to level and prepare spa sites.

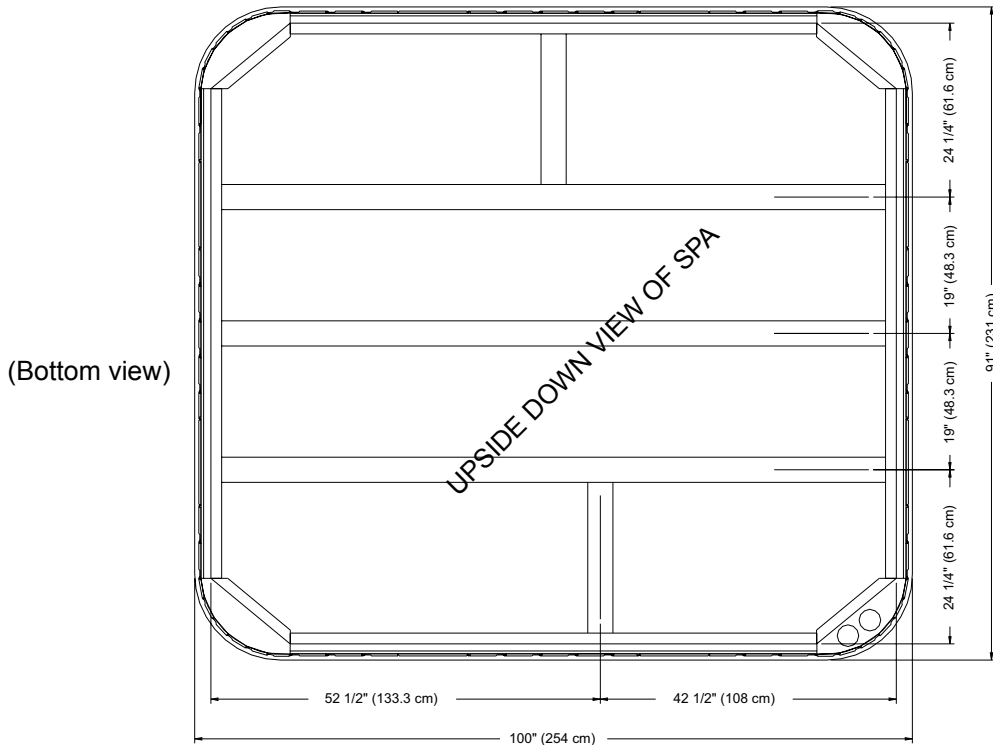
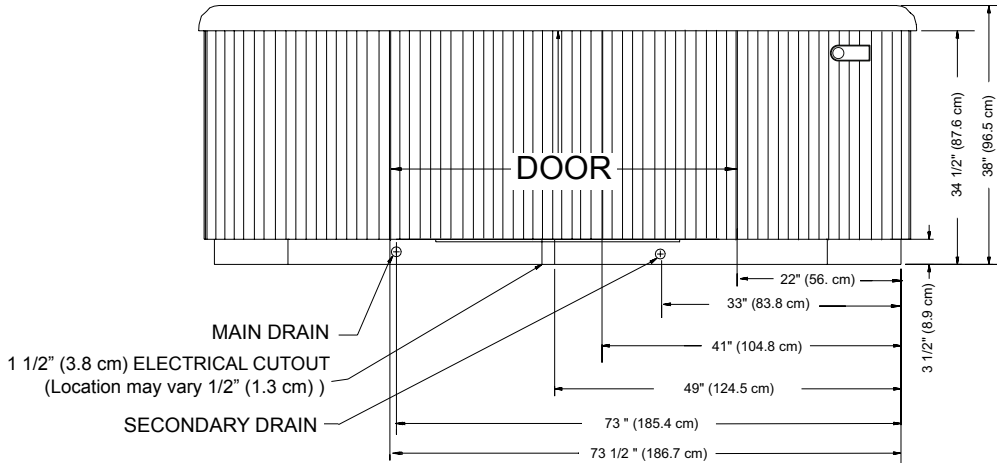
NOTE: In order for the spa to operate properly and the internal plumbing to drain completely, you must ensure that the spa is leveled after it has been installed. The diagrams on the following pages indicated the recommended shimming points on your spa's base support system. Your *Hot Spring* delivery crew can help you perform the procedure.



SUMMIT (MODEL SSE)

Dimensions

NOTE: All dimensions are approximate; measure your spa before making critical design or pathway decisions.



DOOR SIDE

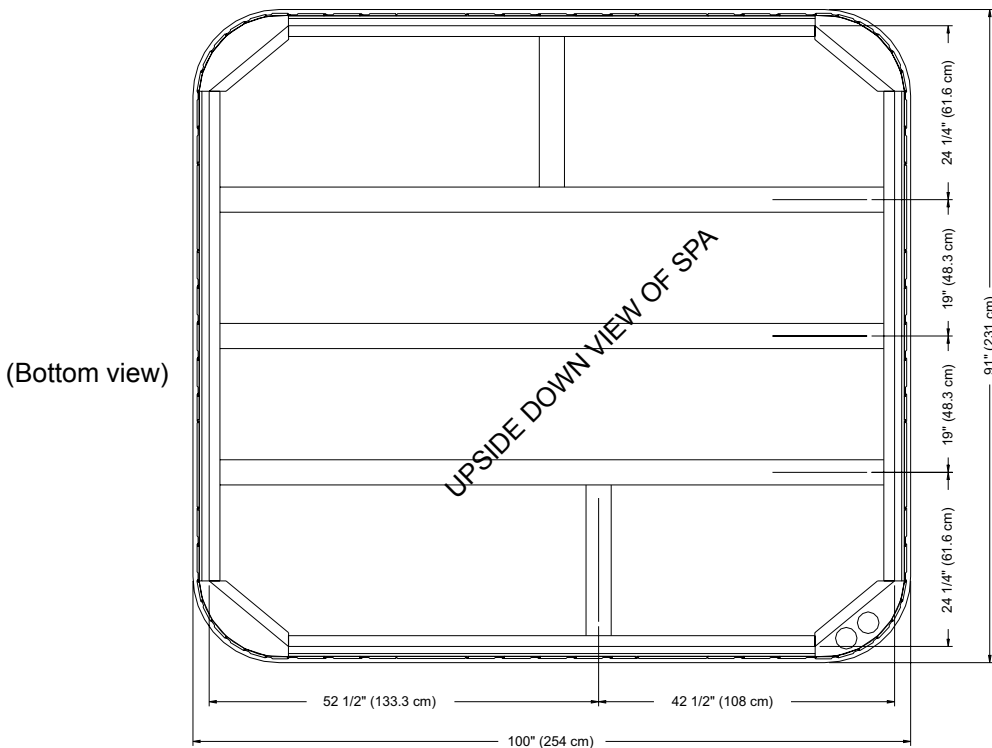
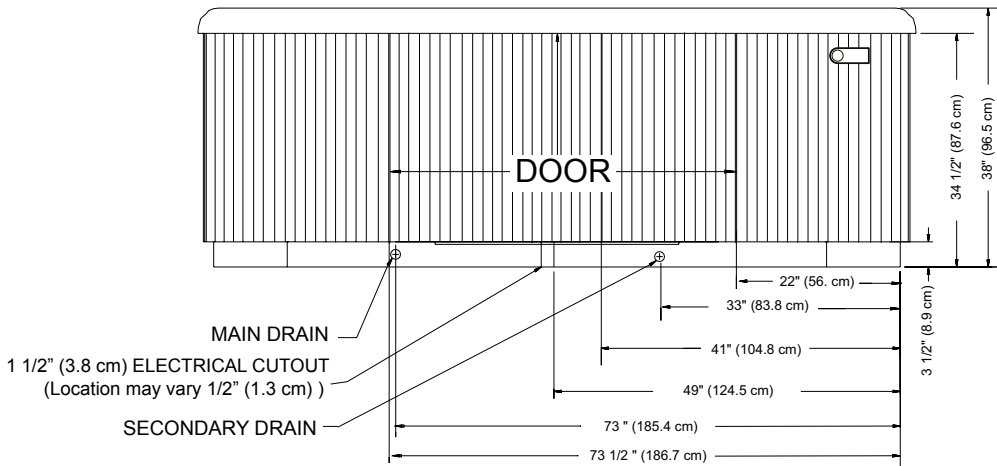
NOTE: Watkins Manufacturing Corporation requires that the *Summit* be installed on a minimum 10 cm (4") thick reinforced concrete pad or a deck that is able to withstand more than 555 kg/m² (115 lbs. per square foot).

WARNING: The *Summit* must not be shimmed in any manner.

GRANDEE (MODEL GGE)

Dimensions

NOTE: All dimensions are approximate; measure your spa before making critical design or pathway decisions.



DOOR SIDE

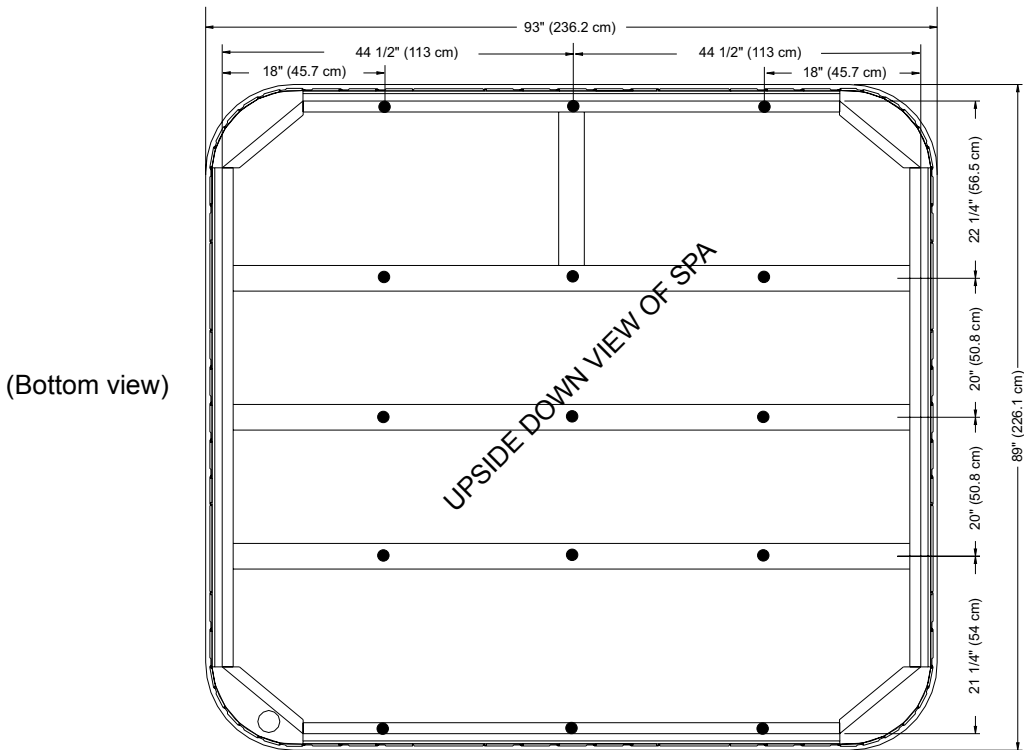
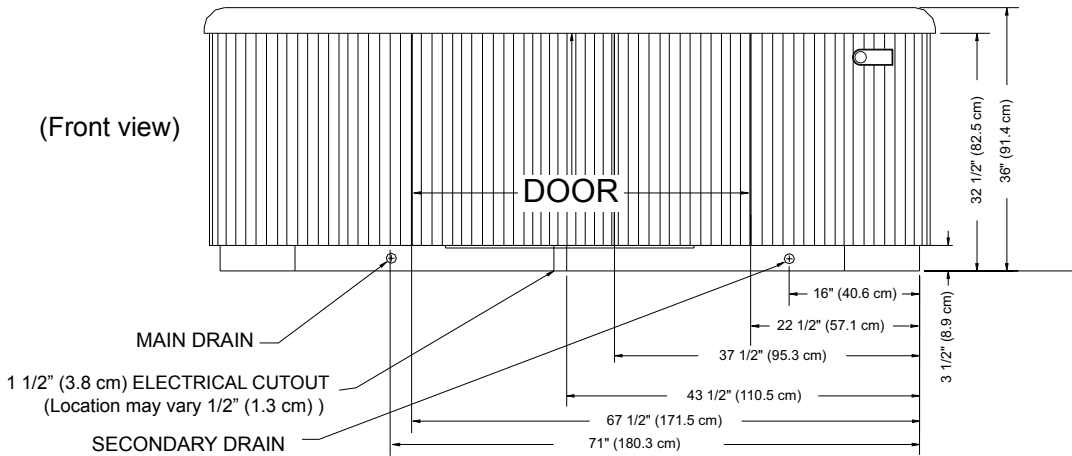
NOTE: Watkins Manufacturing Corporation requires that the *Grandee* be installed on a minimum 10 cm (4") thick reinforced concrete pad or a deck that is able to withstand more than 555 kg/m² (115 lbs. per square foot).

WARNING: The *Grandee* must not be shimmed in any manner.

ENVOY (MODEL KKE)

Dimensions

NOTE: All dimensions are approximate; measure your spa before making critical design or pathway decisions.



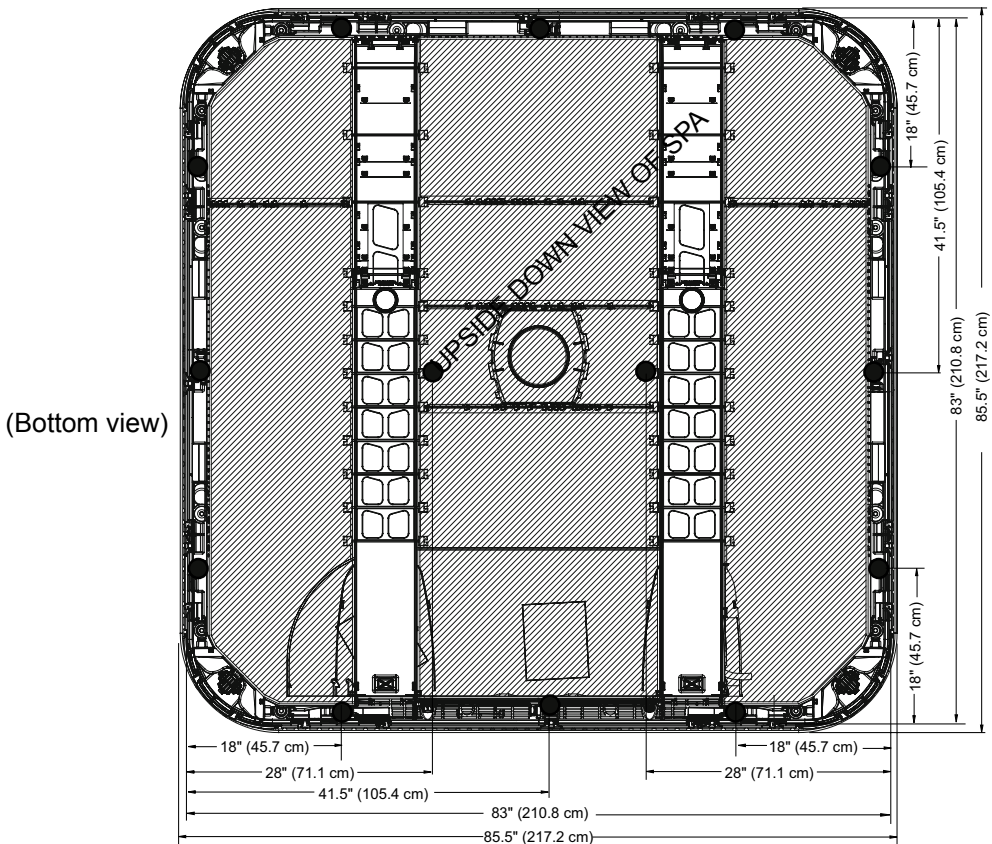
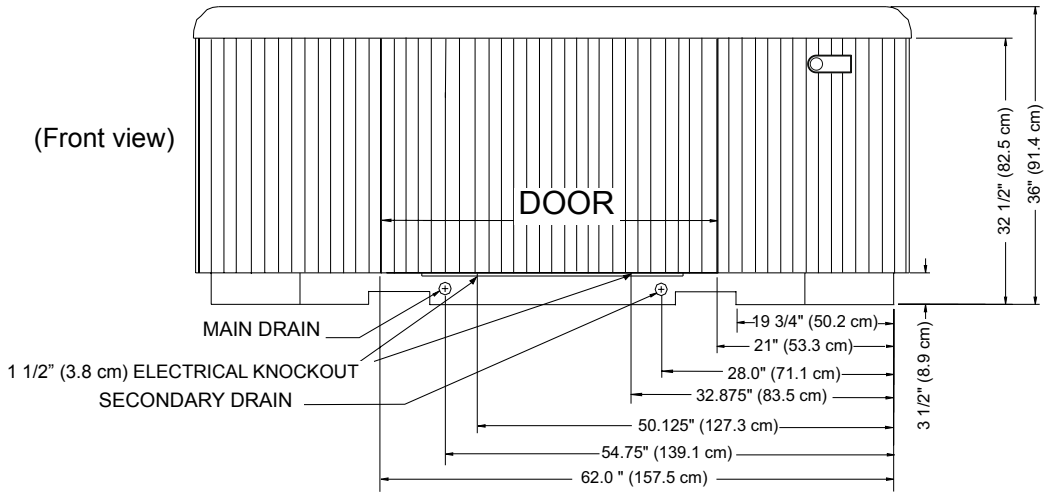
DOOR SIDE

● **IMPORTANT:** The *Envoy* has 15 leveling points (place shims at illustrated locations)

ARIA (MODEL ARE)

Dimensions

NOTE: All dimensions are approximate; measure your spa before making critical design or pathway decisions.



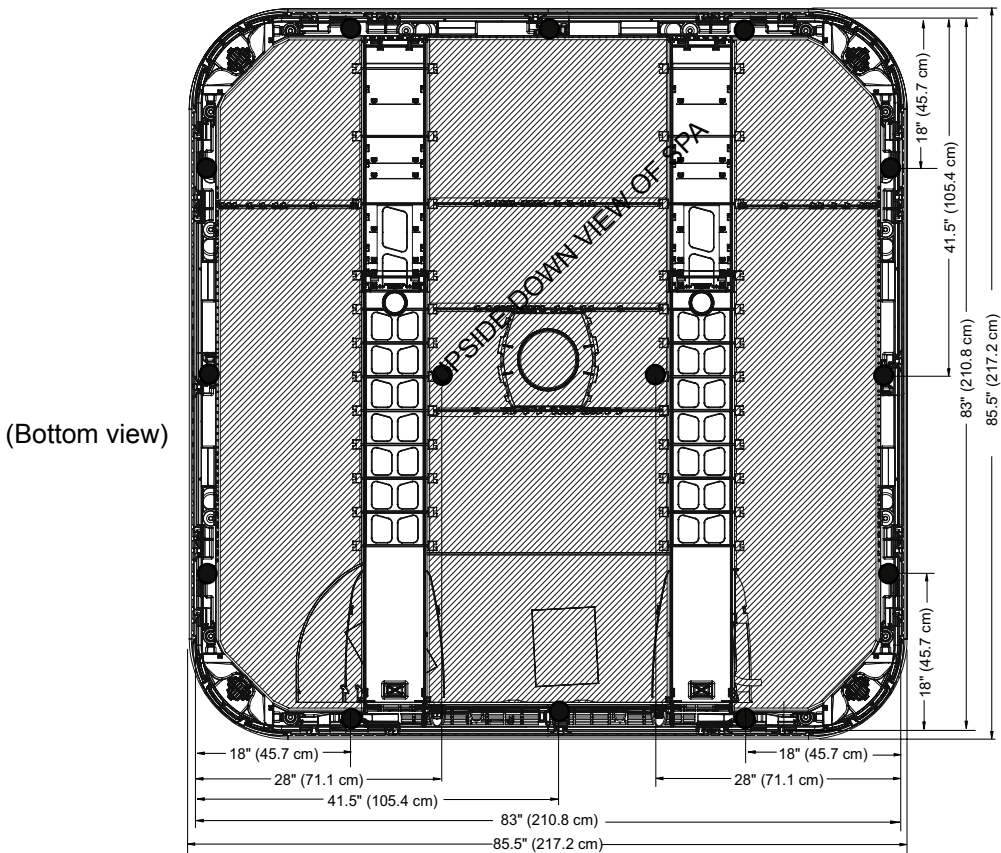
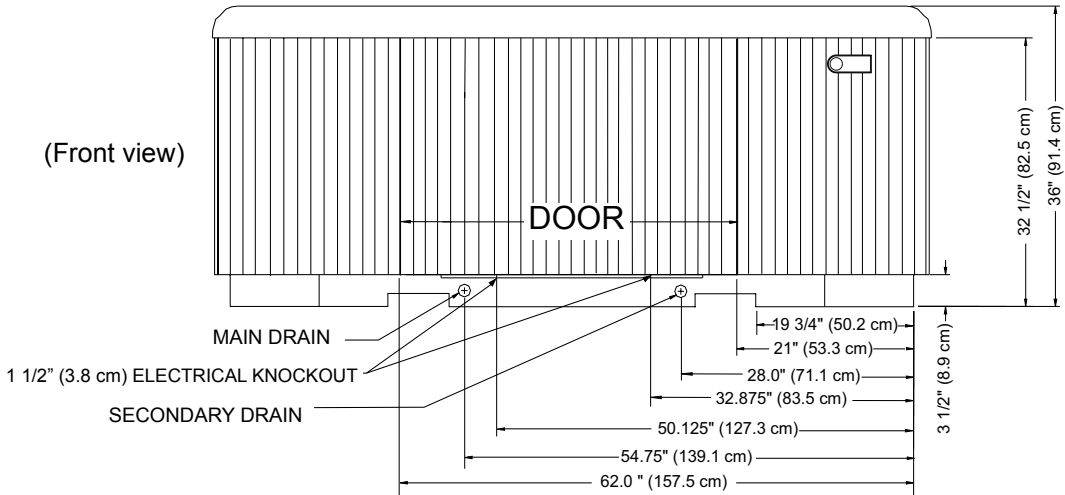
DOOR SIDE

- **IMPORTANT:** The *Aria* has 14 leveling points (place shims at illustrated locations)

VANGUARD (MODEL VVE)

Dimensions

NOTE: All dimensions are approximate; measure your spa before making critical design or pathway decisions.



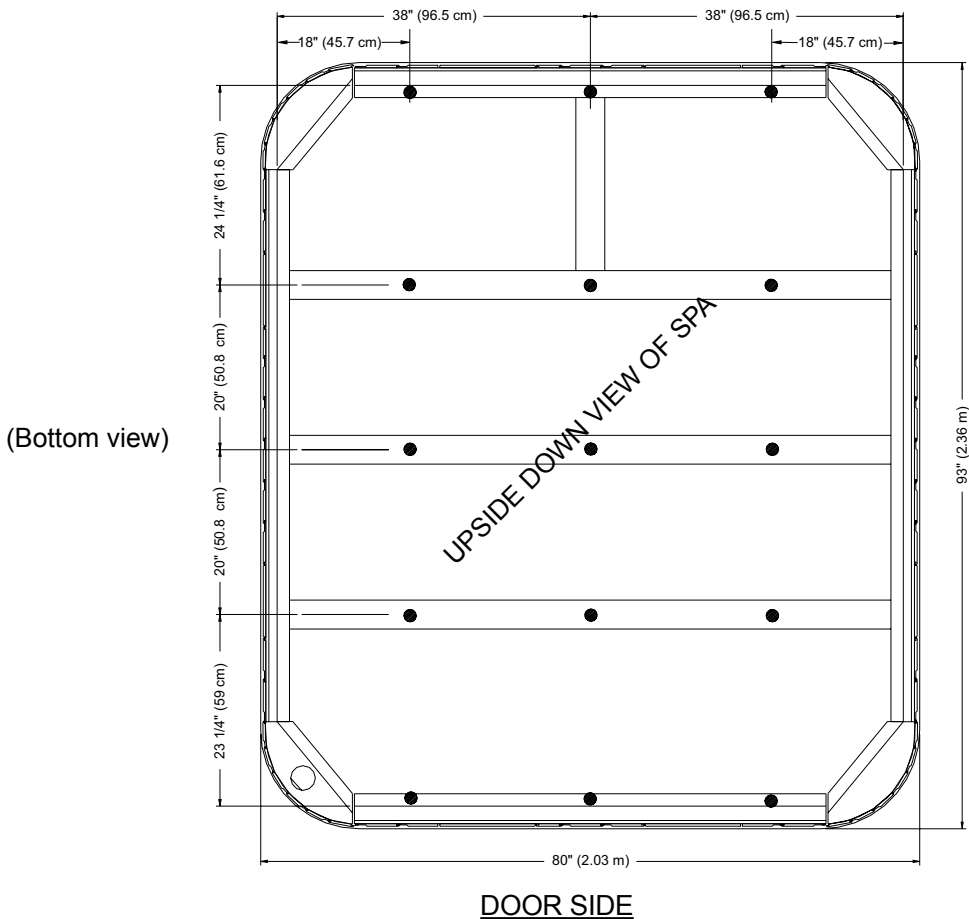
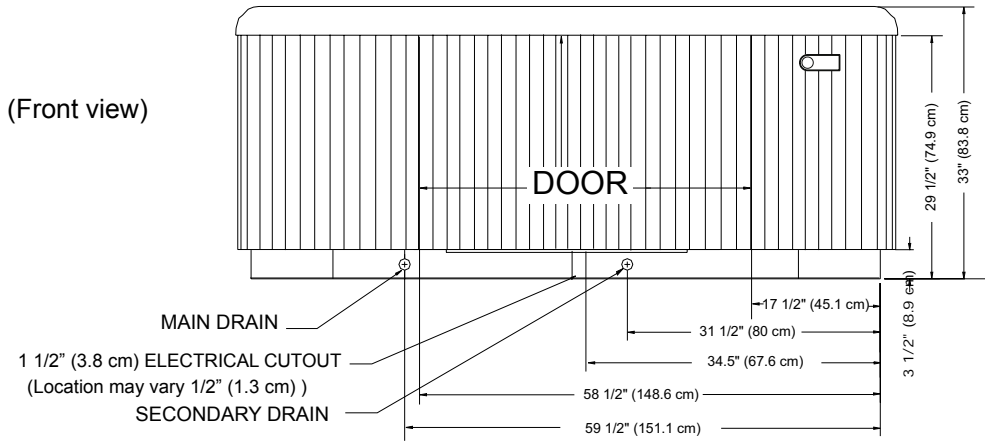
DOOR SIDE

- **IMPORTANT:** The *Vanguard* has 14 leveling points (place shims at illustrated locations)

SOVEREIGN (MODEL IIE)

Dimensions

NOTE: All dimensions are approximate; measure your spa before making critical design or pathway decisions.

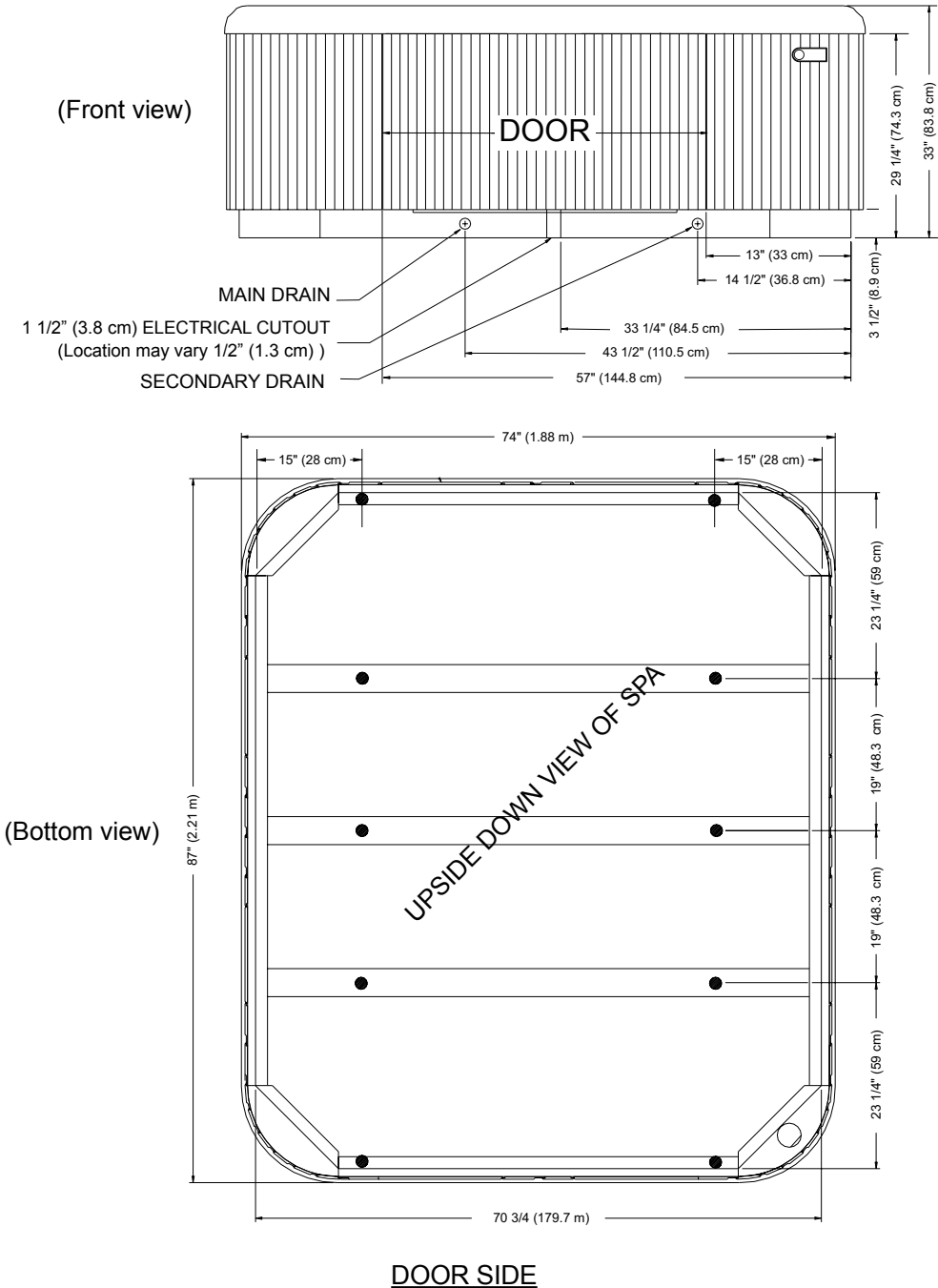


● **IMPORTANT:** The *Sovereign* has 15 leveling points (place shims at illustrated locations)

PRODIGY (MODEL HE)

Dimensions

NOTE: All dimensions are approximate; measure your spa before making critical design or pathway decisions.

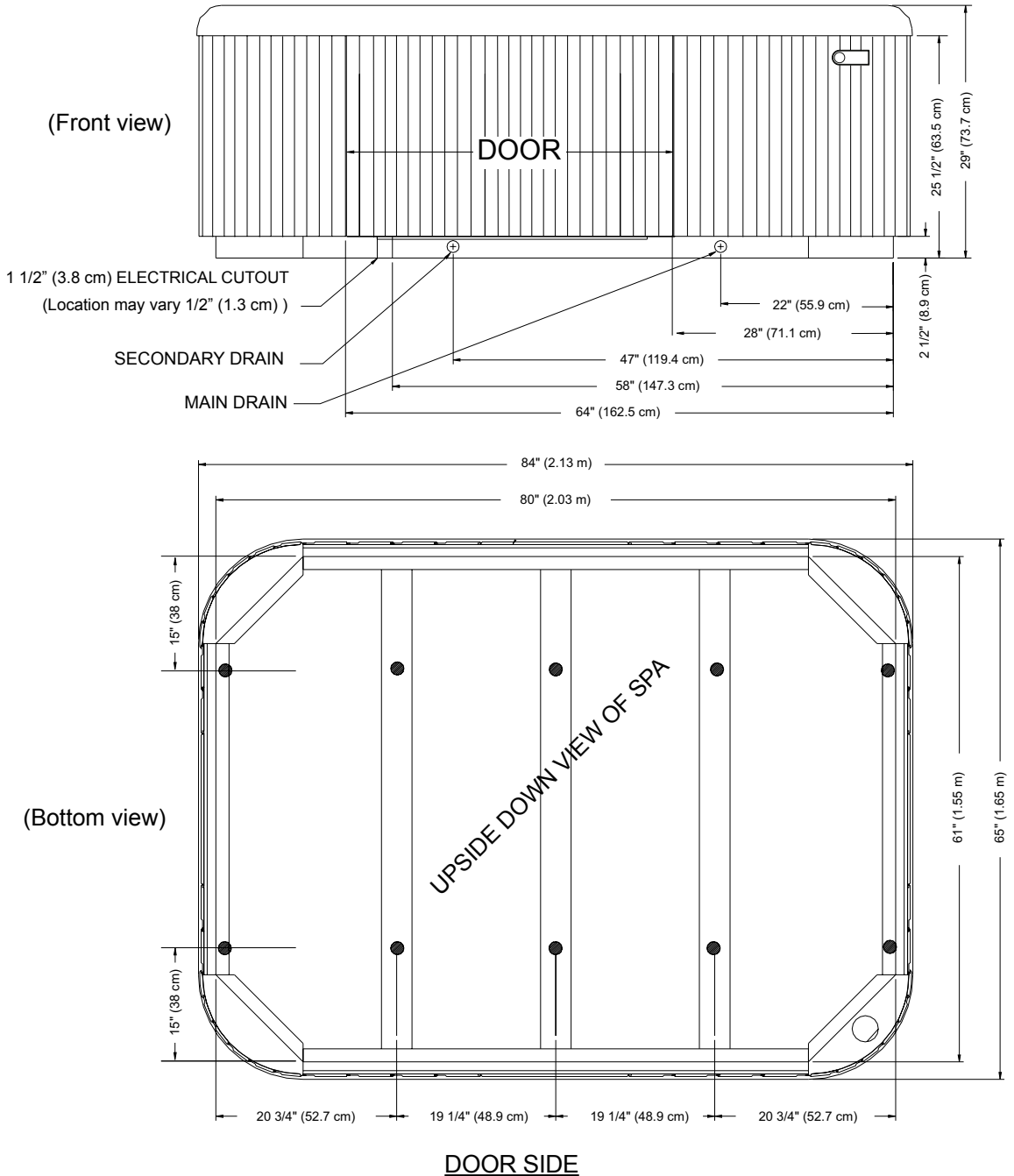


● **IMPORTANT:** The *Sovereign* has 10 leveling points (place shims at illustrated locations)

JETSETTER (MODEL JJE)

Dimensions

NOTE: All dimensions are approximate; measure your spa before making critical design or pathway decisions.



● **IMPORTANT:** The *Sovereign* has 10 leveling points (place shims at illustrated locations)

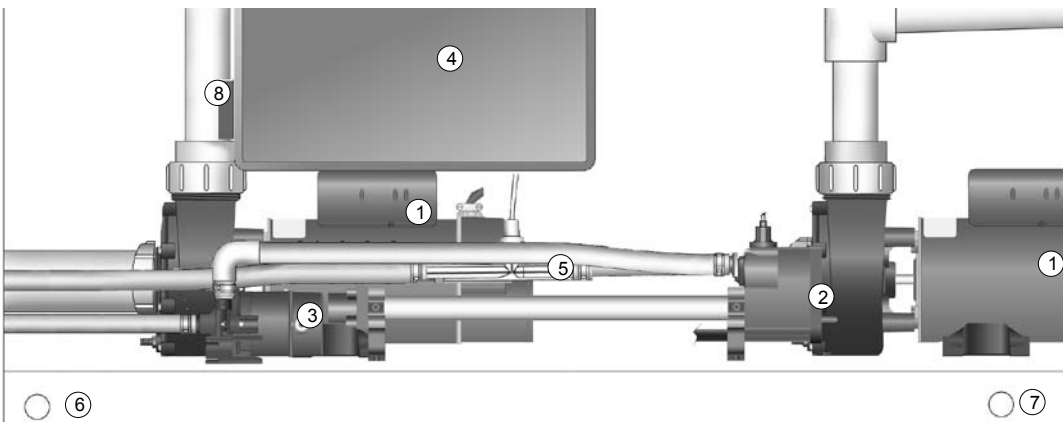
CONTROLS AND EQUIPMENT

SUMMIT

(MODEL SSE)

OVERHEAD VIEW

- A. *SmartJet* system lever
- B. *Moto-Massage jet Comfort Control* system lever
- C. *Precision jets Comfort Control* system lever
- D. Water feature lever
- E. Hydromassage jet with directional nozzle
- F. Hydromassage jet with rotary nozzle
- G. *Soothing Seven jets*
- H. *FootStream jet*
- I. *Moto-Massage DX jet*
- J. Precision jets
- K. *HydroStream® jet*
- L. Heater return and spa drain
- M. Light lens
- N. Filter compartment
- O. Main control panel
- P. Auxiliary control panel
- Q. Pillow
- R. Cup holder
- S. Water Feature
- T. Cup holder/ Speaker cap

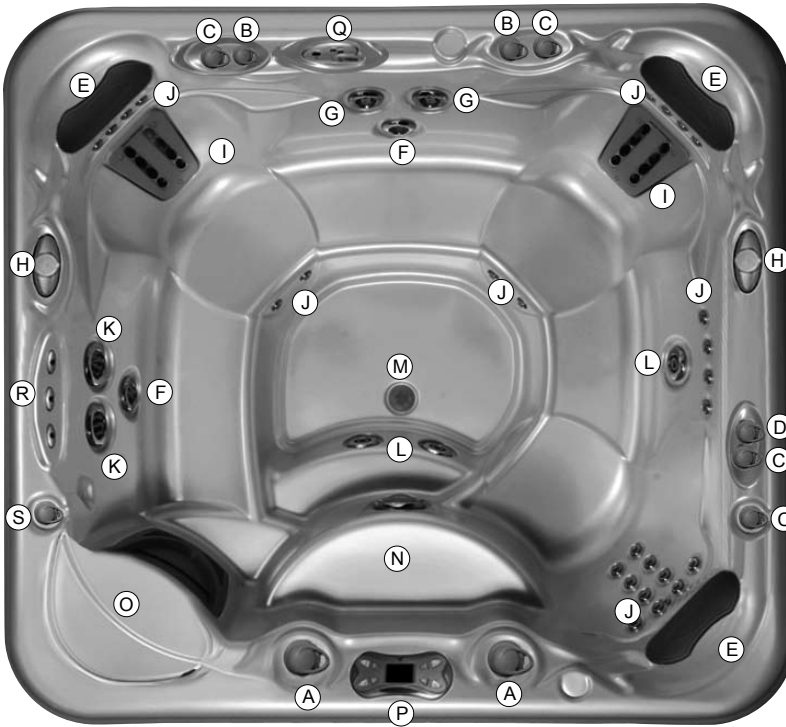


EQUIPMENT COMPARTMENT

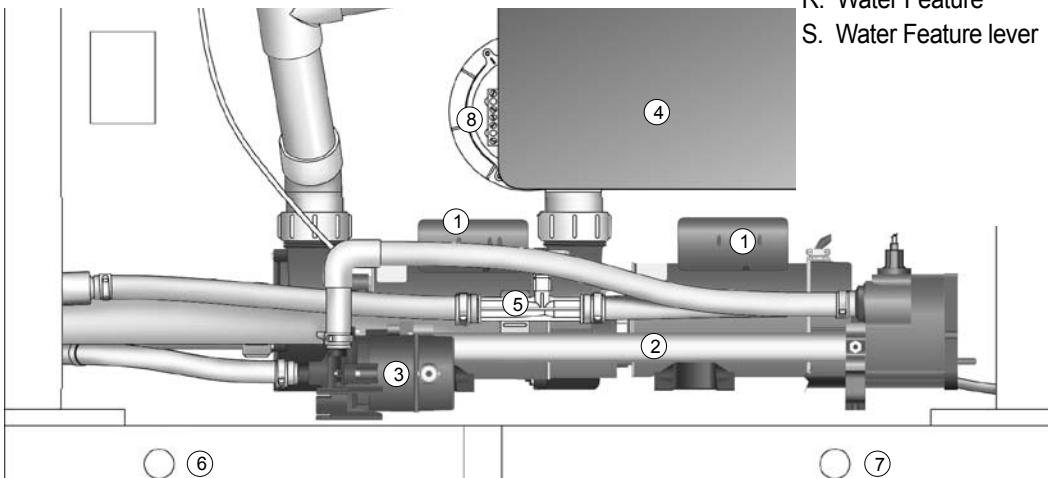
- 1. *Wavemaster® jet pump*
- 2. *No-Fault® heater*
- 3. *Silent Flo 5000® circulation pump*
- 4. *IQ 2020® control box*
- 5. Ozone injector
- 6. Main drain valve
- 7. Secondary drain
- 8. Bonding terminal

GRANDEE (MODEL GGE)

OVERHEAD VIEW



- A. *SmartJet* system lever
- B. *Moto-Massage* jet *Comfort Control* system lever
- C. *Precision jets* *Comfort Control* system lever
- D. *FootStream* jet *Comfort Control* system lever
- E. Pillow
- F. Hydromassage jet with directional nozzle
- G. Hydromassage jet with rotary nozzle
- H. Cup holder/ Speaker cap
- I. *Moto-Massage DX* jet
- J. *Precision jets*
- K. *Soothing Seven* jets
- L. *FootStream* jet
- M. Heater return and spa drain
- N. Light lens
- O. Filter compartment
- P. Main control panel
- Q. Auxiliary control panel
- R. Water Feature
- S. Water Feature lever



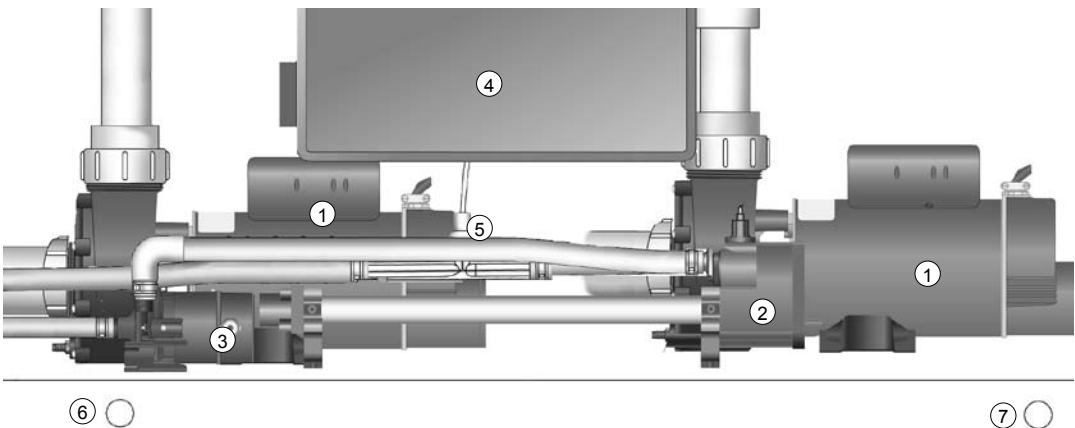
EQUIPMENT COMPARTMENT

- 1. *Wavemaster* jet pump
- 2. *No-Fault* heater
- 3. *Silent Flo 5000* circulation pump
- 4. *IQ 2020* control box
- 5. Ozone injector
- 6. Main drain valve
- 7. Secondary drain

ENVOY (MODEL KKE)

OVERHEAD VIEW

- A. *SmartJet* system lever
- B. *Moto-Massage* jet *Comfort Control* system lever
- C. *Precision jets* *Comfort Control* system lever
- D. Pillow
- E. Hydromassage jet with directional nozzle
- F. Hydromassage jet with rotary nozzle
- G. *Moto-Massage DX* jet
- H. *Precision jets*
- I. *Soothing Seven jets*
- J. *FootStream* jet
- K. *HydroStream* jet
- L. Heater return and spa drain
- M. Light lens
- N. Filter compartment
- O. Main control panel
- P. Auxiliary control panel
- Q. Cup holder
- R. Water feature
- S. Water feature lever
- T. Cup holder/ Speaker cap



EQUIPMENT COMPARTMENT

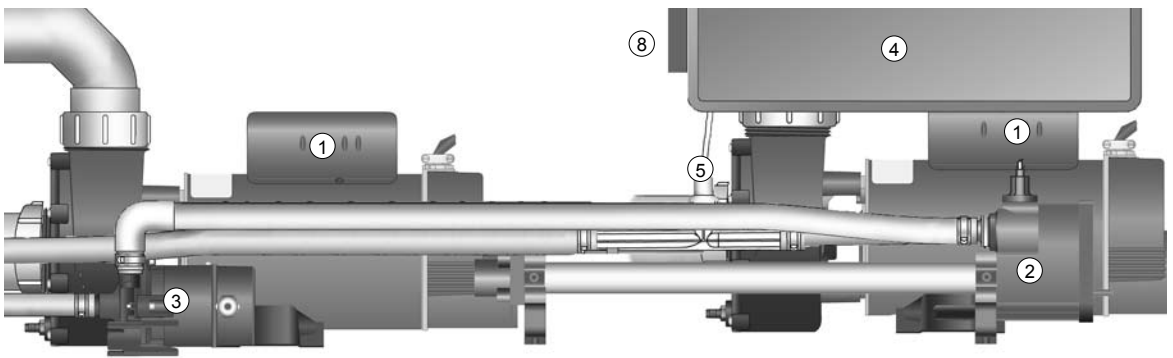
- 1. *Wavemaster* jet pump
- 2. *No-Fault* heater
- 3. *Silent Flo 5000* circulation pump
- 4. *IQ 2020* control box
- 5. Ozone injector
- 6. Main drain valve
- 7. Secondary drain

ARIA (MODEL ARE)

OVERHEAD VIEW



- A. *SmartJet* system lever
- B. *Precision jets Comfort Control* system lever
- C. *Moto-Massage jet Comfort Control* system lever
- D. Pillow
- E. Hydromassage jet with directional nozzle
- F. Hydromassage jet with rotary nozzle
- G. *Precision jets*
- H. *HydroStream jet*
- I. *Soothing Seven jets*
- J. *FootStream jet*
- K. *Moto-Massage DX Jet*
- L. Heater return and spa drain
- M. Light lens
- N. Filter compartment
- O. Main control panel
- P. Auxiliary control panel
- Q. Cup holder
- R. Water feature
- S. Water feature lever
- T. Cup holder/ Speaker cap



○ 6

7 ○

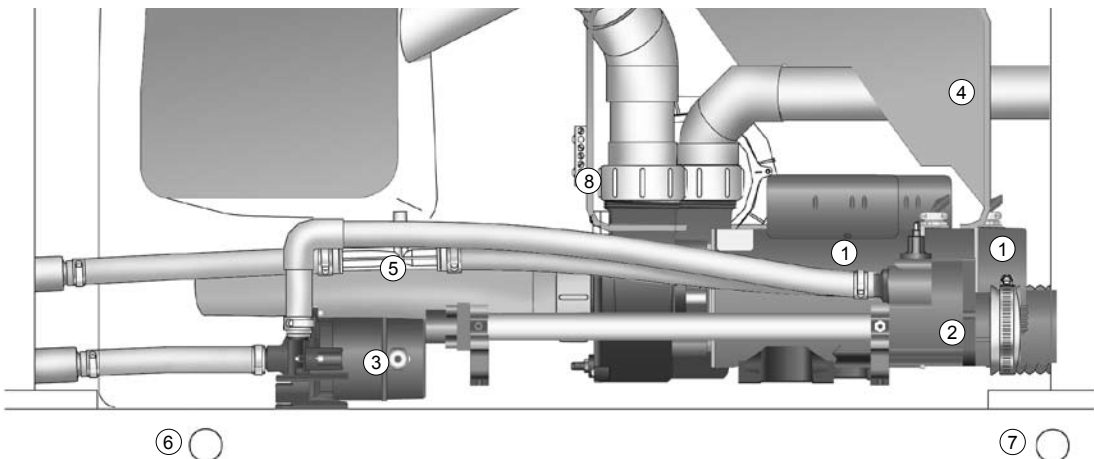
EQUIPMENT COMPARTMENT

- | | |
|--|---------------------|
| 1. <i>Wavemaster</i> jet pump | 5. Ozone injector |
| 2. <i>No-Fault</i> heater | 6. Main drain valve |
| 3. <i>Silent Flo 5000</i> circulation pump | 7. Secondary drain |
| 4. IQ 2020 control box | 8. Bonding terminal |

VANGUARD (MODEL VVE)

OVERHEAD VIEW

- A. *SmartJet* system lever
- B. *Moto-Massage* jet *Comfort Control* system lever
- C. *Precision jets Comfort Control* system lever
- D. Pillow
- E. Hydromassage jet with directional nozzle
- F. Hydromassage jet with rotary nozzle
- G. *Moto-Massage* jet
- H. *Moto-Massage DX* Jet
- I. *Precision jets*
- J. *Soothing Seven* jets
- K. *FootStream* jet
- L. Heater return and spa drain
- M. Light lens
- N. Filter compartment
- O. Main control panel
- P. Auxiliary control panel
- Q. Water Feature
- R. Water Feature lever
- S. Cup holder/ Speaker cap



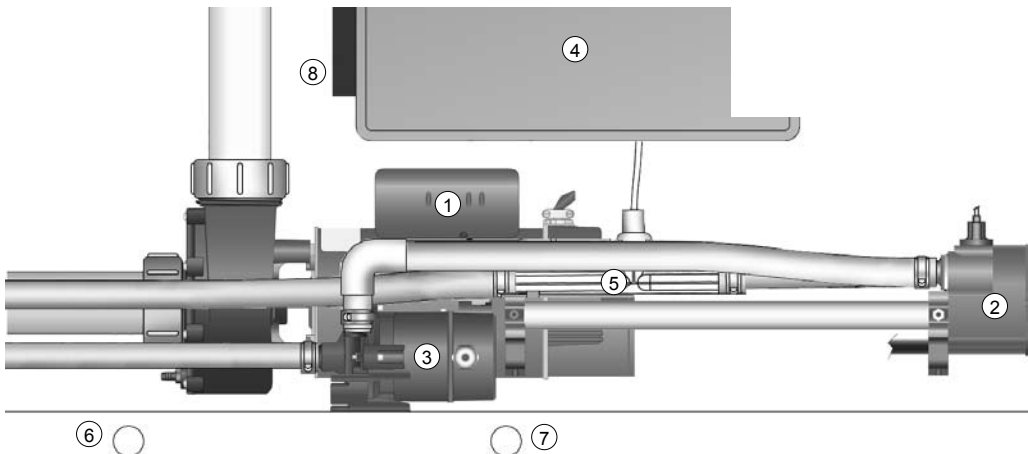
EQUIPMENT COMPARTMENT

- 1. *Wavemaster* jet pump
- 2. *No-Fault* heater
- 3. *Silent Flo 5000* circulation pump
- 4. *IQ 2020* control box
- 5. Ozone injector
- 6. Main drain valve
- 7. Secondary drain
- 8. Bonding terminal

SOVEREIGN (MODEL IIE)

OVERHEAD VIEW

- A. *SmartJet* system lever
- B. *Moto-Massage* jet Comfort Control system lever
- C. *Precision jets Comfort Control* system lever
- D. Pillow
- E. Hydromassage jet with directional nozzle
- F. Hydromassage jet with rotary nozzle
- G. *Moto-Massage DX* jet
- H. Precision jets
- I. *FootStream* jet
- J. Heater return and spa drain
- K. Light lens
- L. Cup holder/ Speaker cap
- M. Filter compartment
- N. Main control panel
- O. Auxiliary control panel
- P. Cup holder
- Q. Water Feature
- R. Water Feature lever



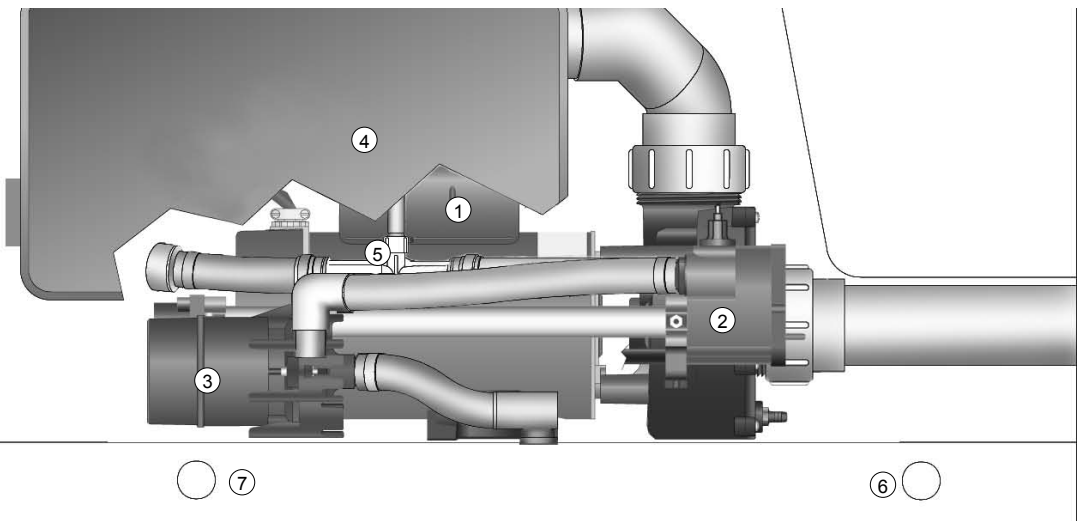
EQUIPMENT COMPARTMENT

- 1. Wavemaster® jet pump
- 2. No-Fault® heater
- 3. Silent Flo 5000® circulation pump
- 4. IQ 2020® control box
- 5. Ozone injector
- 6. Main drain valve
- 7. Secondary drain
- 8. Bonding terminal

PRODIGY (MODEL HE)

OVERHEAD VIEW

- A. *SmartJet* system lever
- B. *FootStream* jet *Comfort Control* system lever
- C. *Precision jets* *Comfort Control* system lever
- D. Hydromassage jet with directional nozzle
- E. Hydromassage jet with rotary nozzle
- F. *Precision jets*
- G. *Soothing Seven* jets
- H. *FootStream* jet
- I. Heater return and spa drain
- J. Light lens
- K. Filter compartment
- L. Main control panel
- M. Auxiliary control panel
- N. Cup holder/ Speaker cap



EQUIPMENT COMPARTMENT

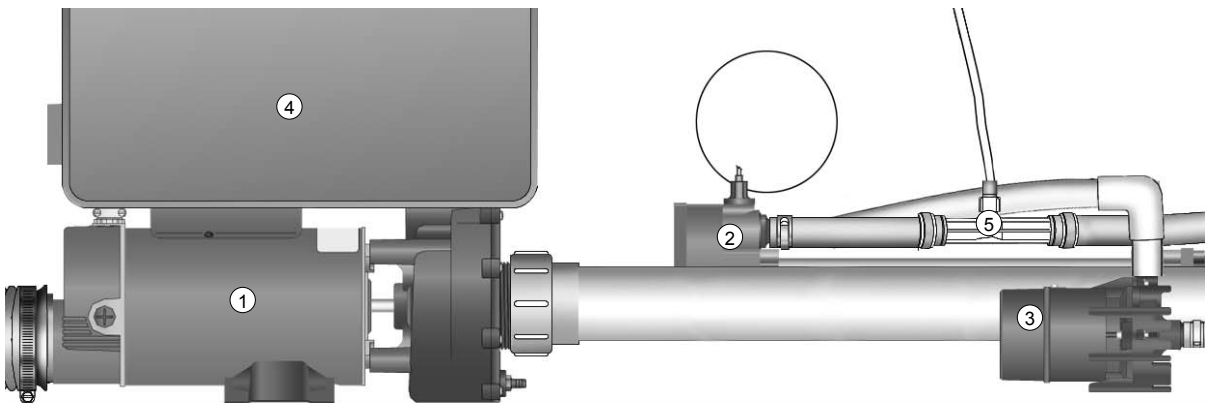
- | | |
|--|---------------------|
| 1. <i>Wavemaster</i> jet pump | 5. Ozone injector |
| 2. <i>No-Fault</i> heater | 6. Main drain valve |
| 3. <i>Silent Flo 5000</i> circulation pump | 7. Secondary drain |
| 4. <i>IQ 2020</i> control box | |

JETSETTER (MODEL JJE)

OVERHEAD VIEW



- A. *SmartJet* system lever
- B. *FootStream* jet *Comfort Control* system lever
- C. *Moto-Massage DX* jet *Comfort Control* system lever
- D. *Precision jets* *Comfort Control* system lever
- E. Pillow
- F. Hydromassage jet with directional nozzle
- G. Hydromassage jet with rotary nozzle
- H. *Moto-Massage DX* jet
- I. *Precision jets*
- J. *HydroStream jet*
- K. *FootStream jet*
- L. Heater return and spa drain
- M. Light lens
- N. Filter compartment
- O. Main control panel
- P. Cup holder
- Q. Cup holder/ Speaker cap



EQUIPMENT COMPARTMENT

- 1. *Wavemaster* jet pump
- 2. *No-Fault* heater
- 3. *Silent Flo 5000* circulation pump
- 4. *IQ 2020* control box
- 5. Ozone injector
- 6. Main drain valve
- 7. Secondary drain

ELECTRICAL REQUIREMENTS AND PRECAUTIONS

Your *Hot Spring* spa has been designed carefully to give you maximum safety against electrical shock. Connecting the spa to an improperly wired circuit will negate many of the spa's safety features. Please read and follow the electrical installation requirements and instructions for your specific spa model completely!

SERVICE NOTE: All *Hot Spring* spa models except Custom Cabinet (CC) are equipped with a power indicator (*Hot Spring* Logo blue light) which, in addition to showing the spa has power to it, has a diagnostic function as well. It will begin blinking if the heater high-limit thermostat has tripped. If the power indicator light is blinking, follow the instructions in the Troubleshooting section to identify and correct the cause. The power indicator will stop blinking once the problem has been corrected. The Power and Ready indicator lights on the control panel also provide the same diagnostic function

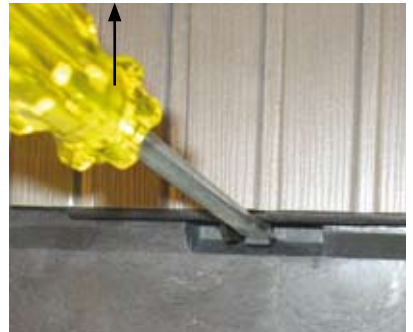
HOT SPRING SPAS MUST BE WIRED IN ACCORDANCE WITH ALL APPLICABLE NATIONAL AND LOCAL ELECTRICAL CODES. ALL ELECTRICAL WORK SHOULD BE DONE BY AN EXPERIENCED, LICENSED ELECTRICIAN. WE RECOMMEND THE USE OF APPROPRIATE ELECTRICAL CONDUIT, FITTINGS, AND WIRE FOR ALL CIRCUITS.

This product requires a 16 amp (20 amp for *Summit*, *Grandee* & *Aria*), single phase, 230 volt, three wire service (one line, one neutral, one ground). The grounding conductor must be at least the same gauge as the line conductors, but no smaller than 2.10 mm² (4.0 mm² for *Summit*, *Grandee* & *Aria*). A minimum No. 10 AWG (6 mm²) solid copper bond may also be required. Additionally, one main disconnect switch with at least 3 mm separation between contacts must be used for all electrical circuits to the spa.

Mount the subpanel according to local codes, but not closer than 1.5 m away (follow your local codes).

CONDUIT INSTALLATION INSTRUCTIONS

1. To connect the electrical service, first detach the equipment compartment door as follows:
 - a) Remove the 6 door panel screws on spas with screws.
 - b) For *Vanguard* & *Aria* spas only, place a flat head screw driver into snap below door, pull slightly up on screwdriver handle and carefully pull the door panel (next to snap) away from spa. Repeat on the other 2 snaps below the door.
2. Pull bottom of panel away from spa then down in order to remove door.
3. Locate the control box. Loosen the screws on the front of the control box. Remove the screws and the control box cover.
4. Route the electrical conduit through the access opening between the doorframe and the equipment compartment using one of the knockouts provided. Install the supply conduit so as not to block the drain valve.
5. Connect the supply conduit to the control box and connect the wiring as detailed on the next page and on the wiring diagram label on the inside of the control box cover. Once completed, replace control box cover.
6. To replace equipment compartment door, place panel under bar top first. Push bottom of door panel towards spa making sure all 3 snaps are fastened into spa frame or replace the 6 door panel screws.



SERVICE NOTE: All *Hot Spring* spa models are equipped with a power-on indicator which, in addition to showing the spa has power to it, has a diagnostic function as well. It will begin blinking if the heater high limit thermostat has tripped.

IMPORTANT NOTICE: All Watkins spas require a GFCI (Ground Fault Circuit Interrupter) for electrical safety. Because of varying receptacle conditions in each country, Watkins Manufacturing Corporation DOES NOT supply this device as a standard part of the spa. It is the sole responsibility of the Authorized Watkins Dealer to select, install and confirm the functioning condition of this device. Watkins Manufacturing recommends this device be attached to the end of the spa's electrical cord. The GFCI must be installed by a licensed, qualified electrician. GFCI devices must meet or exceed all national and local electrical codes.

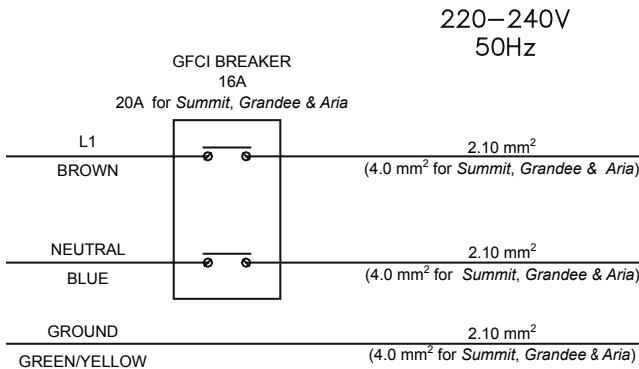
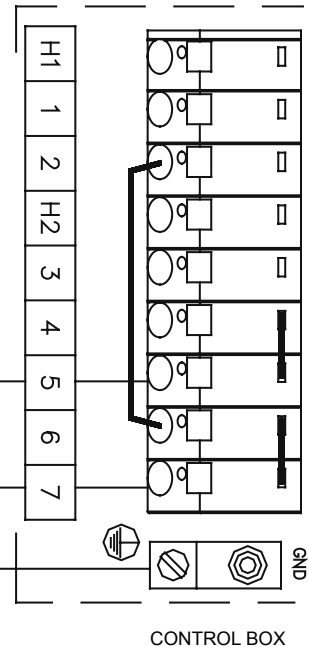
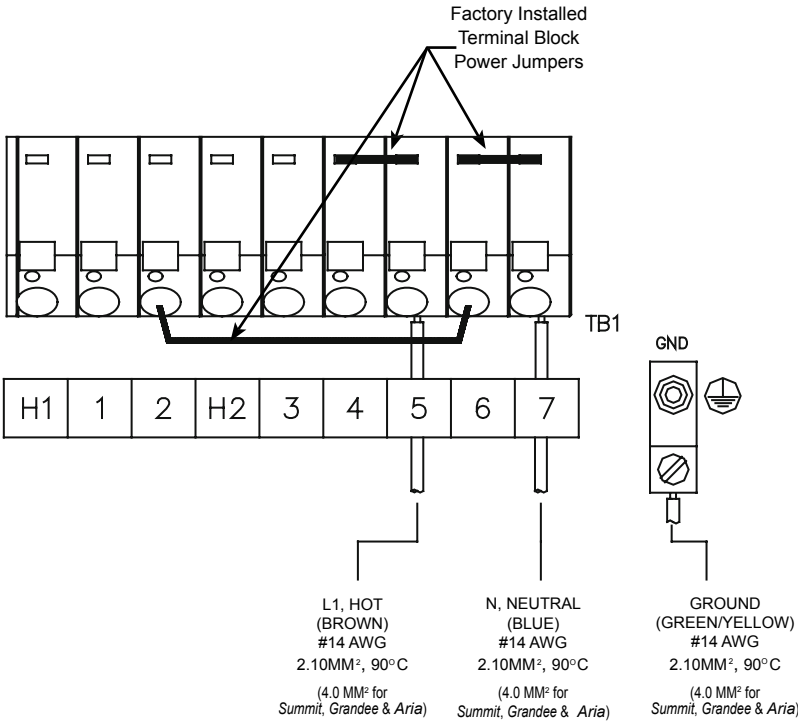
WIRING INSTRUCTIONS

1. Connect the 2.10 mm² (4.0 mm² for *Summit*, *Grandee* & *Aria*) wire from the line side (brown) of the breaker to terminal 5 on the terminal block.
2. Connect the 2.10 mm² (4.0 mm² for *Summit*, *Grandee* & *Aria*) wire from the neutral side (blue) of the breaker to terminal 7 on the terminal block.

3. Connect the 2.10 mm² (4.0 mm² for *Summit, Grandee & Aria*) wire from the ground wire (yellow/green) to the ground position on the terminal block.

For additional requirements, consult appropriate national wiring rules.

NOTES: Connect supply wiring as shown in the diagrams on next page. Connect only to a circuit which is protected by a Ground Fault Circuit Interrupter (GFCI).



OPERATING INSTRUCTIONS

230 VOLT PERMANENTLY CONNECTED MODELS

All models utilize the efficient *Wavemaster* jet pumps to operate their multiple jet systems. The heating system in these spa models utilizes a Watkins *No-Fault* heater design. This state-of-the-art heating system incorporates an exclusive *No-Fault* (1.5kW) heater that is practically impervious to scaling and corrosion, which are the two major causes of heater failure. The other components that make up the heating system include an energy-efficient low-flow heater circulation pump, an electronic thermostat for maintaining water temperature, and a heater high-limit thermostat and heater dry fire reset for spa user and system protection.

IMPORTANT: Improper conversion from one system to another may damage the spa's electrical components. Always consult your authorized dealer prior to converting from one electrical system to another.

START-UP AND REFILL PROCEDURES

Your *Hot Spring* spa has been thoroughly tested during the manufacturing process to ensure reliability and long-term customer satisfaction. A small amount of water may have remained in the plumbing after testing and, as a result, may have spotted the spa shell or the spa siding prior to delivery. Before filling the spa, wipe the spa shell clean with a soft rag.

The following instructions must be read and followed exactly to ensure a successful start-up or refill.

CAUTIONS

- Do not fill the spa with hot water, as tripping of the high-limit thermostat may result.
 - **DO NOT CONNECT POWER TO AN EMPTY SPA.** Power to the spa automatically activates critical components within the spa, such as controls, heater, circulation pump, and other systems. If power is supplied to these components prior to the spa being filled, the components will be damaged, and this may result in a non-warranty component failure.
 - Do not use your spa after filling until all of the steps listed below are completed.
 - Do not add chlorine if treating your spa with polyhexamethylene biguanide (Biguanide, PHMB, eg. *BaquaSpa*®) sanitizer.
1. Close all drains and fill the spa with water through the filter compartment. Your *Hot Spring* spa water level should be maintained approximately 4cm above the top of the highest jet.

RECOMMENDED: Use the FreshStart®_{10,000} pre-filter to remove unwanted contaminants from the tap water.

IMPORTANT: Watkins Manufacturing Corporation does not recommend that the spa be filled with "softened" water, as this may damage the spa's equipment.

2. Once the spa has been filled with water and the equipment compartment door is secured, power must be applied to the spa.
3. The jet pump, heating system, and all internal plumbing will achieve a partial prime as the spa is filled. To check the operation of the jet system and to purge any remaining air from the heating system, push the JETS hardbutton once then push the JET MAX soft button to make both jet pumps run on high speed for one minute. Once the jet system is fully operational (as indicated by strong, non-surfing jets), priming of the spa is complete, press the ALL OFF soft button to shut the jets off. Weak or surfing jets are an indication of a low water level condition or clogged filter cartridges.

IMPORTANT: Be sure the air control valves (see illustration in *Comfort Control* system section) are open by turning each one clockwise and checking to see that the *SmartJet* lever is pointing to the 3 o'clock position (see illustration in *SmartJet* system section).

4. Adjust Total Alkalinity (TA) to 125 ppm, Calcium Hardness (CH) to 150 ppm, then spa water pH to between 7.4 and 7.6. These procedures are listed in the "Water Quality and Maintenance" section.

IMPORTANT: Add spa water chemicals directly into the filter compartment with the jet pump on high speed for at least ten minutes.

OPERATION NOTE: Adjusting the Total Alkalinity as the first step is important, as out-of-balance TA will affect your ability to adjust the pH correctly and will prevent the sanitizer from operating effectively.

5. Superchlorinate the spa water by adding 1½ teaspoons of chlorine (sodium dichlor) per 950 liters of spa water. Use the CLEAN soft button (home screen) to circulate the spa water for a ten-minute period.
6. During the super-chlorination period, rotate the *SmartJet* lever(s) through each of their operating positions, letting the spa water circulate (with jets on) for equal periods of time.

OPERATION NOTE: The *SmartJet* levers are designed to operate in the 3 o'clock and 9 o'clock positions.

7. Set the temperature control to the desired temperature between 36°C and 40°C, (see Temperature Control section) then place the vinyl cover on the spa and allow the water temperature to stabilize (approximately 24 hours). Make sure you secure the cover in place using the cover locks. Periodically check the spa water temperature. When the water temperature climbs above 32°C, proceed to the next step.
8. Rotate the *SmartJet* lever(s) to the primary position (3 o'clock) and turn on the CLEAN cycle for ten minutes to circulate the spa water. After the clean cycle is complete, test the spa water for Free Available Chlorine (FAC) residual. If the residual is between 3 and 5 ppm on the test strips (found in the test kit) go on to the next step. If the residual is less than 3 ppm, superchlorinate the spa water by adding 1½ teaspoons of chlorine (sodium dichlor) per 950 liters of spa water. Use the soft button marked "CLEAN" to circulate the spa water for a ten-minute period.

9. Rotate the *SmartJet* lever(s) to next position and let the spa water circulate (using the jet pump) for ten minutes. Test the spa water for Free Available Chlorine (FAC) residual. If the residual is between 3 and 5 ppm on the test strips (found in the test kit) go on to the next step. If the residual is less than 3 ppm, superchlorinate the spa water by adding 1½ teaspoons of chlorine (sodium dichlor) per 950 liters of spa water. Then use the soft button marked "CLEAN" to circulate the spa water for a ten-minute period. Repeat this procedure until all *SmartJet* lever operating positions have been tested.
10. Recheck the Total Alkalinity (TA) at 125 ppm, Calcium Hardness (CH) at 150 ppm, then spa water pH at between 7.4 and 7.6.

Operational Note: Make sure you adjust your Total Alkalinity first, as an out-of-balance condition will affect your ability to adjust the pH correctly, and will prevent the sanitizer from operating effectively. **The spa is ready for use when the spa water has circulated through each *SmartJet* lever operating position and the chlorine level remains between 3 ppm and 5 ppm.**
11. The spa temperature is pre-programmed to reach 38°C, and will normally do so within 18 to 24 hours. You may raise the water temperature by pressing the TEMP ▲ button on the control panel, or lower it by pressing TEMP ▼ button (press the OPTIONS hard button followed by the Temperature soft button for desired screen). After a few hours, the water temperature will remain within 1 degree C of your selected temperature. To prevent tampering, you can lock your desired temperature setting. Refer to the Control Panel section for details.

NOTE: Allowing the jet pump to operate for long uninterrupted periods of time with the cover in place will cause a rise in the spa water temperature. All spas are equipped with a safety device to reduce the risk of component damage or personal injury, should the jet pump be left running continuously for a long period of time. After two hours of continuous operation, the jet pump controller will automatically turn off the jet pump.

SMARTJET SYSTEM

With your *Hot Spring* spa's exclusive *SmartJet* system, you can control the massaging action of your spa. Using the *SmartJet* lever, the jets are activated in sets, known as jet systems.

The *SmartJet* lever controls two jet systems. To access a jet system, simply turn the *SmartJet* lever to the 3 o'clock or 9 o'clock position. Please consult the jet system menus on the following pages to determine which jets are activated with each *SmartJet* lever position. Or just jump in and play – turn the lever(s) and see what happens.



COMFORT CONTROL SYSTEM

The *Comfort Control* system allows you to control the intensity of the massage at each jet by adjusting the mixture of air and water. Jets with an adjustable faceplate are controlled by turning the faceplate clockwise for a softer flow, counterclockwise for a stronger flow. Jets without an adjustable faceplate are controlled by a *Comfort Control* lever. The *Precision*, *Moto-Massage* and *JetStream* jets are controlled by *Comfort Control* levers.

NOTE: The intensity of the *JetStream* jets in the Footwell® can not be altered.

Turn the *Comfort Control* lever clockwise to increase the intensity of the jet and counterclockwise to decrease the intensity.



MOTO-MASSAGE JET (VANGUARD SPA ONLY)

The *Moto-Massage* jet automatically travels up and down in a sweeping motion, simulating the natural stroking effects of a manual massage. The intensity and speed of the *Moto-Massage* jet may be adjusted by turning the *Comfort Control* lever.

The *Moto-Massage* jet has been factory adjusted to provide maximum hydromassage, and to achieve full vertical travel with its *Comfort Control* lever in the full air volume position. Should the *Moto-Massage* jet not achieve full vertical travel and the problem is not a closed air control valve or clogged filter cartridge, then your *Hot Spring* Service Center should be contacted.

SERVICE NOTE: A slow or non-moving *Moto-Massage* jet may indicate that the filter cartridge pores are obstructed with dirt, body oils, or calcification. Follow the filter cartridge cleaning procedures in the Spa Care and Maintenance section of this manual.

ACCESSORY NOTE: For a different-feeling massage, ask your dealer about the HydroPulse® option; an alternative faceplate for your *Moto-Massage* jet.

MOTO-MASSAGE DX JET

The *Moto-Massage* DX automatically travels two streams up and down in a sweeping motion, simulating the natural stroking effects of a manual massage. The intensity and speed of the *Moto-Massage* DX jet may be adjusted by turning the *Comfort Control* lever.

The *Moto-Massage* DX jet has been factory adjusted to provide maximum hydromassage, and to achieve full vertical travel with its *Comfort Control* lever in the full air volume position. Should the *Moto-Massage* DX jet not achieve full vertical travel and the problem is not a closed air control valve or clogged filter cartridge, then your *Hot Spring* Service Center should be contacted.

SERVICE NOTE: A slow or non-moving *Moto-Massage* DX jet may indicate that the filter cartridge pores are obstructed with dirt, body oils, or calcification. Follow the filter cartridge cleaning procedures in the Spa Care and Maintenance section of this manual.

HYDROMASSAGE JETS

The Hydromassage jets have two different nozzle options: directional and dual port rotary. The directional nozzle allows you to aim the water in the direction that feels best. The dual port rotary nozzle divides the water flow into two streams, and then spins.

ACCESSORY NOTE: Your *Hot Spring* dealer stocks hydromassage jet kits which can easily be installed in your spa to modify your jets from directional to dual port rotary.

SOOTHING SEVEN JET

The *Soothing Seven* jet is another unique feature of *Hot Spring* spas. Its seven outlets are designed to massage the muscles in the upper back and shoulders, gently and thoroughly. Turn the faceplate clockwise to increase the jet pressure and counterclockwise to decrease the jet pressure.

PRECISION JETS

Precision jets are located above *Moto-Massage* jets and in groups of various sizes. They are designed to perform a soft, soothing massage on your back and shoulders. Adjust the pressure of the *Precision* jets using the *Comfort Control* lever (located closest to the *Precision* jets).

Refer to the drawings on the following pages to familiarize yourself with the *SmartJet* system menus for your spa. Please note that the *SmartJet* lever side of the spa is always considered the front when referring to the locations of the different types of jets and jet systems. **The clock positions are correct when facing the spa, standing at the *SmartJet* lever.**

JETSTREAM JET

The *JetStream* jet is a large orifice hydromassage jet designed to put maximum massaging action on a specific area of the body. It is located in the lower part of the spa to afford optimal access for the massaging of feet, legs, hips, and lower back. The intensity of the *JetStream* jets can be altered (except the ones found in the *FootWell* system) using the *Comfort Control* lever. *JetStream* jets located in the *FootWell* are not adjustable.

HYDROSTREAM JET (SUMMIT, ENVOY, ARIA & JETSETTER SPAS ONLY)

The *Hydrostream* jet is a mid-size hydromassage jet that delivers a great massage to the feet, back and shoulder areas. This jet can be adjusted at the face plate for greater or lesser intensity.

WATER FEATURE

Summit, *Grandee*, *Envoy* and *Aria* spas are equipped with a BellaFontana® water feature. This water feature can be turned on or off when the two-speed pump is on low speed (tranquil mode) or high speed. To function correctly, the water feature on/off lever must be placed in the *full on* position only.

If the lever is not in the *full on* position when the pump is on high speed, it is likely that the water feature will project water substantially farther out into the spa as the on/off lever is opened. This is not proper operation. If this occurs, the pump should be turned off, the water feature lever rotated to the *full on* position and the pump turned on again.

CAUTION: Partial blockage of water flow at entrance of water feature will cause the water to flow farther into or over the spa.

Vanguard & *Sovereign* models have the Soothing Stream® water feature. The water feature is located on the front right corner of the spa. A lever is used to adjust the water from full flow to completely off. The circulation pump of the spa powers the water feature allowing the water to run all of the time if desired. Turning the water feature lever to it's full clockwise position will shut the water feature off.

IMPORTANT: It is recommended that the water feature found on the *Vanguard* and *Sovereign* be turned **off** before placing the cover onto the spa.

CONTROL PANEL OPERATION

Hot Spring spa models are equipped with a main control panel, located on the front top of the spa, and an auxiliary control panel located within the seating area of the spa.

The main control panel controls all of the spa functions and uses LED indicator lights and an integrated LCD display to make spa control easy.

The auxiliary control panel is conveniently located so that a user inside the spa can operate the light or the jets.

NOTE: If the SPA LOCK function has been initiated at the main control panel, the auxiliary control panel will not operate.

MAIN CONTROL PANEL

The main control panel provides a quick visual check of the spa's status and allows the user to set the temperature, activate the jets & lights, lock the temperature and/or spa functions. Other optional functions may also be available depending on the spa model accessory equipment that has been installed into the spa.

The control panel has eight buttons.

The four outer labeled buttons are referred to as "Hard buttons". These buttons are fixed and their functions do not change.

The four inside buttons are referred to as "Soft buttons". Pressing the soft button will activate the function on the screen closes to the button. The control panel display responds to let you know you've pressed a button and that the selected function has been performed. After a period of non-use (45 seconds) the display will go back to the Home screen where the screen will remain on for several minutes before going to the sleep mode. Pressing any button will wake up a sleeping display (if spa lock is not on).



HARD BUTTONS

JETS - If jet pump indicator light is off and JETS hard button is pressed, the 1st jet pump function will activate and the main control panel display will advance to the Jets menu.

If jet pump indicator is flashing indicating a clean cycle, pressing the JETS hard button will stop the clean cycle, place spa into 1st jet pump function and display the Jets menu.

If jet pump indicator light is on and the JETS hard button is pressed from any screen other than the Jets menu, the jets pump function does not change, only the main panel screen will change to the Jets menu.

LIGHTS - If lights are off, press from any screen to turn on the Underwater lights (only) and display the Underwater lighting menu. When pressed in the Underwater menu with the underwater lights on, it will cycle the light intensity for the underwater lights. If underwater lights are on, initial press of lights hard button will not change light setting but will access Underwater lighting menu.

OPTIONS - Transitions to the Options screen to access temperature and setup menus.

BACK - Goes back one menu. In Home screen Hold BACK button until screen rotates 180° to view from inside spa. Repeat to reverse.

INDICATOR LIGHTS

At a glance, the indicator lights are readily visible on the main control panel. The seven LED indicator lights work independently from the rest of the control panel display. That way, even if the control panel is off, you can simply glance at the indicator lights to determine the status of your spa.

READY Indicator: The READY indicator will light when the spa water temperature is within 1°C (2°F) of the set temperature, and will turn off when the temperature is outside of that range. If you increase or decrease the temperature setting of the spa, the ready indicator will turn off until the spa temperature reaches the acceptable range for the new set temperature. Additionally, a flashing READY indicator indicates that a problem exists with the temperature sensor (see Troubleshooting section for more information)

Summer Timer Indicator: The Summer Timer indicator is lit when the Summer Timer is set to ON. In the summer timer mode, the heater and circulation pump remain off for eight hours. Summer Timer indicator will not flash.

Spa Light Indicator: The Spa Light indicator is lit when any light inside the spa is on. The indicator will remain solid as long as the spa light is activated. Spa Light indicator will not flash.

Spa or Temperature Lock Indicator: The Spa or Temperature Lock indicator is lit when either the Spa Lock or Temperature Lock is activated. Lock indicator will not flash.



Jet Pump Indicator: The Jet Pump indicator is lit whenever a jet pump is on. The jet pump indicator will flash whenever the spa is in the ten-minute clean cycle.



Water Care Indicator: The Water Care indicator is lit whenever a water care device is detected in the system and the water care system is operating correctly. The icon will flash if the water care system requires attention.



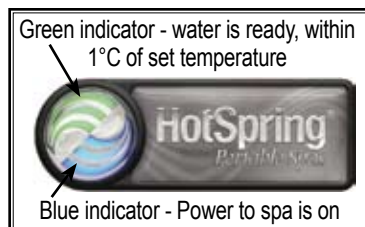
POWER Indicator: The POWER indicator is 'on' when the spa is properly supplied with power. It also provides a diagnostic function—a flashing power indicator indicates that the heater high limit has tripped, meaning that either the spa water is above its acceptable temperature range, or a malfunction has occurred within the spa (such as low circulation due to clogged filters).

An 'off' power indicator means that there is a problem with the spa control box or the power supplied to the spa (see Troubleshooting section for more information).

HOT SPRING ON/READY INDICATOR LIGHT

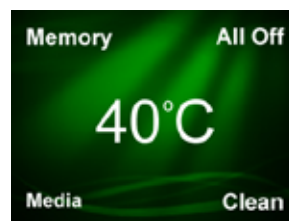
The *Hot Spring* logo on the front of the spa illuminates a blue and green color. These colors indicate the power and ready status of the spa without having to open the cover and look at the control panel. The green color is equivalent to the READY Indicator described in the previous section, and the blue color is equivalent to the POWER Indicator described above.

If blue or green lights are flashing refer to Troubleshooting section of Owner's Manual.



HOME SCREEN

On the Home screen you will notice the temperature displayed in the center of the screen. This temperature is the actual temperature of the spa water. If the READY indicator icon is lit and solid on the control panel, then the actual spa temperature is within 1°C (2°F) of the set temperature. The corner soft button functions are as follows:



ALL OFF

This feature will shut jets and lights off immediately, while saving the last active jets and lights settings.

MEMORY

This feature will recall the last active setting for jets and lights prior to pressing the All Off button.

NOTE: If the jet pump will not engage, make sure SPA LOCK is deactivated. SPA LOCK disables the controls on both the main and auxiliary control panels.

CLEAN

Provided as a convenient timer for water maintenance, activates the jet pump on high for a ten minute period. The blue Jet icon will flash to indicate the jet pump is engaged and in the clean cycle. Next you may add properly measured spa water chemicals into the filter compartment. The jet pump and clean indicator will automatically shut off after ten minutes.

NOTE: Some soft key functions will only be illustrated if the accessory has been installed.

MEDIA

This feature will take you to the Media sub menu (accessory feature).

TEMPERATURE CONTROL

The set temperature range is from 26°C to 40°C (80°F to 104°F). (The water temperature of any spa may rise or lower slightly depending on the current use and condition of your spa and on outside temperatures.)

The set temperature of the spa water will automatically be 38°C (100°F) the first time that power is applied. This is the setting programmed at the factory. After the spa has been set up and used, the last temperature value set by the user will be stored in memory. If power is disconnected from the spa, it will automatically revert to the last set temperature when power is reappplied.

To display the set temperature of the spa, press the OPTIONS hard button followed by the TEMPERATURE soft button. The temperature screen will then be displayed. This screen will automatically revert to Home screen after 45 seconds of non-use.



To increase the set temperature of the spa water, press the TEMP ▲ button. Each time the button is pressed, the set temperature display will increment by one degree. If the button is held down, the set temperature display will increase by one degree every half-second.

To decrease the set temperature of the spa water, press the TEMP ▼ button. Each time the button is pressed, the set temperature display will decrement by one degree. If the button is held down, the set temperature display will decrease by one degree every half-second. If the set temperature value will not change, check the TEMP LOCK and SPA LOCK features. When either of these features is

activated, the temperature control is disabled.

LOCKING FEATURES

The two locking features, TEMPERATURE LOCK and SPA LOCK, are activated from the main control panel. Once activated, a lock will remain active until the specific button combination is applied to disable the lock. Even if power is disconnected from the spa and soon thereafter reappplied (such as in a power outage) the lock will remain in place.

TEMPERATURE LOCK

The TEMPERATURE LOCK feature deactivates the temperature control function on the main control panel. All other functions on the main and auxiliary control panels will operate normally. TEMPERATURE LOCK is most often used by people who do not want others to tamper with or change the set temperature of the spa water.



To activate the TEMPERATURE LOCK, press the OPTIONS hard button followed by the TEMPERATURE soft button and finally press the soft button TEMP LOCK OFF to change the screen to TEMP LOCK ON.

NOTE: The red Spa lock indicator icon will be lit during a temperature lock condition.

When the Temperature Lock is activated, the Jets, Light, and Clean buttons will operate normally, and the temperature setting can be viewed but can NOT be changed. To deactivate the Temperature Lock,

press the OPTIONS hard button followed by the TEMPERATURE soft button followed by the TEMP LOCK ON soft button to change the screen to TEMP LOCK OFF, this will also turn the Spa lock indicator icon off.

SPA LOCK

The SPA LOCK feature deactivates all of the functions on the main and auxiliary control panels. It is generally used to prevent unwanted use of the spa. The control panel will not respond to any hard or soft buttons when in Spa Lock mode.



To activate the SPA LOCK, press the OPTIONS hard button followed by the SET-UP soft button. The screen to the left will then be displayed.

To activate the SPA LOCK, press the soft button for SPA LOCK.

NOTE: The Spa lock indicator icon will be lit during a spa lock condition.

To deactivate the SPA LOCK, press and hold both the OPTIONS hard button and the LIGHTS hard button for 3 seconds.

LOCK OVERRIDE

The Lock Override feature is for spa users who normally keep the set temperature locked. Should the user wish to lock all spa controls temporarily, the spa lock can be activated over an already activated temperature lock. Then, when the spa lock is removed, the temperature lock will remain on, to prevent unwanted tampering with the set temperature.

JETS CONTROL

The JETS hard button activates the jet pump. When the JETS hard button is pressed, the jets menu will display on the control panel as seen on the right with Jet 1 in the High position (*Vanguard* model) or Jet 2 Low position (*Grande*, *Envoy* & *Aria* model), the blue Jet Pump indicator light will also light up. Pressed any of the soft keys to change the jet functions between high, low (when available) speed, and off. The soft button functions are as follows:

The Jet pump icon will remain lit until the button is pressed to turn off the jet pump(s), or after two hours of continuous operation when the pump(s) is automatically shut off by the control system.

If the jet pump will not engage, make sure SPA LOCK is deactivated. SPA LOCK disables the controls on both the main and auxiliary control panels.

You may also run through the entire jet pump cycle by only using the JETS hard button as follows:

VANGUARD

1st press = jet pump 1 on High 2nd press = jet pump 1 & 2 on High 3rd press = jet pump 2 on High 4th press = jet pumps OFF

SUMMIT, GRANDEE, ENVOY & ARIA

1st Press = Jet pump 2 on Low 2nd Press = Jet pump 2 on High 3rd Press = Both jet pumps on high speed
4th Press = Jet pump 2 on Low, 5th Press = Jet pump 1 on High 6th Press = All pumps off
Jet pump 1 on High

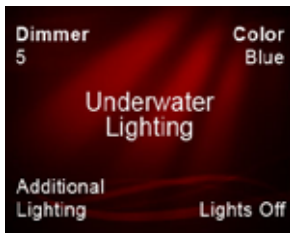
SOVEREIGN, PRODIGY & JETSETTER

1st press = jet pump on High 2nd press = jet pump OFF



LIGHT CONTROL

All *Hot Spring* spas are equipped with Four Zone Multi-Color lighting.



Press the LIGHTS hard button to activate the Underwater Lighting and display the screen below.

The intensity of the spa's underwater lights are controlled using the Dimmer soft button. There are five (5) brightness levels plus off.

NOTE: Pressing the LIGHT hard button will also change the intensity of the spa's underwater lights when in the Underwater Lighting menu.

To change the color of the underwater lights, press the soft key next to Color.

The colors are as follows: 1) Blue, 2) Aqua, 3) Green, 4) White, 5) Yellow, 6) Red, 7) Magenta, 8) Color Wheel On, 9) Color Wheel Off.

To turn off all of the lights press the soft button next to Lights Off.



Your spa has additional lights that can be turned On and Off or can be a different color from that of the underwater lighting. Press the soft button next to Additional Lighting to view the sub menu below.

Press the soft button next to Bartop to turn Bartop lighting On or Off.

Press the soft button next to Pillow to turn Pillow lighting On or Off.

Press the soft button next to the Water Feature to turn Water Feature lighting On or Off. Press the soft button next to Color to change the color for all the above water lights that are turned on. The color sequence is the same as that of the Underwater Lighting menu.

NOTE: To go back to the Underwater Light menu from the Additional Light menu, press the LIGHT or BACK hard button. When both color wheels are used at the same time, the color for both underwater and additional lighting will be the same.

SUMMER TIMER

Your *Hot Spring* spa is equipped with a Summer Mode timer. The Summer Mode timer can be activated during extremely hot summer months if it becomes difficult to maintain water temperatures low enough for comfort. Upon switching to the ON mode, the heater will immediately shut down while the circulation pump (which can add heat to the water through normal operation) will remain on for approximately 5 minutes for heater cool-down. Both heater and circulation pump will remain off for the next eight hours. Additionally, the summer mode display on the main control panel will activate and remain active for as long as the summer mode is on. Following this eight-hour period, the circulation pump and heater will automatically restart and will operate normally for the next sixteen hours. The circulation pump and heater will continue to turn off for an eight-hour period every day that the summer timer remains ON. In this way, the amount of heat transferred to the spa water will be minimized. When the outside temperatures begin to cool, the Summer Mode timer should be turned OFF (the summer mode indicator on the main control panel will go out). This will activate the efficient 24 hour circulation mode that keeps the heater operation and operating costs to a minimum during colder/heavier usage months.

NOTE: Whenever power is disconnected and then reconnected to the spa, the Summer Mode timer will reset starting with the eight-hour shutdown mode. If a different eight-hour shut down time is desired, deactivate the Summer Mode, then reactivate at the beginning of the desired eight-hour shut down time.

IMPORTANT: The Summer Timer will not lower the spa's water temperature below the ambient air temperature.

To activate the Summer Timer, simply follow these steps:

- On the control panel, press the OPTIONS Hard button, press the Set Up Soft button and the Summer Timer soft button to activate. The yellow Summer Timer indicator will light up when activated.
- The Summer Timer must be deactivated when cooler temperatures return. To do this, simply repeat last step. The yellow Summer Timer indicator will turn off.



MISCELLANEOUS FUNCTIONS

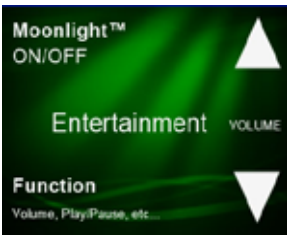
LANGUAGE

The main control panel screen can be viewed in five different languages. The languages are English, French, German, Dutch and Spanish. To change languages, press the OPTIONS hard button and Set Up soft button (illustrated to the left). Press the Language soft button until the desired language is visible.

IMPORTANT: Should you accidentally change the language screen into a language you don't know simply press the OPTIONS hard button, the soft button on the top right corner and then the language soft button (lower right) until you come to a language you understand.



BRIGHTNESS



If you would like to change the brightness of the main control panel screen, press the OPTIONS hard button and the Set Up soft button to view the screen above. Press the Brightness soft button to lower the brightness from 7 down to 1. Pressing the Brightness soft button at number 1 will increase the screen brightness back to 7.

MEDIA

If media is installed (Moonlight Multi Source Sound System) both the Home screen and the Options screen will display the Media function. Press the Media soft key to advance to the Media sub menu (illustrated to the left).

Press the Moonlight soft button to turn the Moonlight Multi Source Sound System on or off.

Press the Function soft button to scroll through the functions:

Volume, EQ Boost, iCast Track, iCast Play/Pause.

NOTE: The iCast Track & iCast Play/Pause will only function with a working iPod® placed onto the iCast transmitter.

Press the ▲ or ▼ soft button to change the function currently displayed.

AUXILIARY CONTROL PANEL

The auxiliary control panel, conveniently located in the spa seating area allows the user to activate the jets and underwater light functions from inside the spa.

NOTE: Keep in mind that the auxiliary control panel will not function if the SPA LOCK feature on the main control panel has been activated.

JETS CONTROL

The JETS button activates the jet pump(s). When the JETS button is pressed, the jets symbol will illuminate on the main control panel display. The symbol will remain lit until the button is pressed several times to turn off the jet pump(s) off, or after two hours of continuous operation when the pump(s) is automatically shut off by the control system.

VANGUARD

1st press = jet pump 1 on High 2nd press = jet pump 1 & 2 on High 3rd press = jet pump 2 on High 4th press = jet pumps OFF

SUMMIT, GRANDEE, ENVOY & ARIA

1st Press = Jet pump 2 on Low 2nd Press = Jet pump 2 on High 3rd Press = Both jet pumps on high speed
4th Press = Jet pump 2 on Low, 5th Press = Jet pump 1 on High 6th Press = All pumps off
Jet pump 1 on High

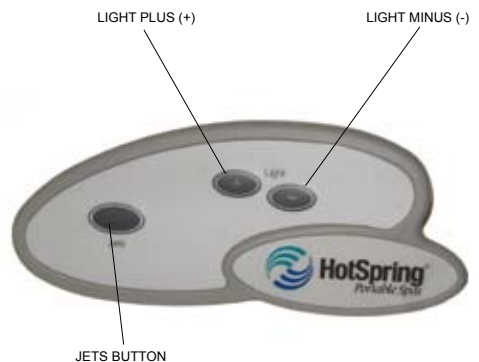
SOVEREIGN & PRODIGY

1st press = jet pump on High 2nd press = jet pump OFF

LIGHT CONTROL

The light buttons on the Auxiliary control panel will turn the underwater lights of the spa on and off. The intensity of the spa's underwater light is controlled using the LIGHT plus (+) or LIGHT minus(-) buttons. To turn on the spa light, press the LIGHT plus (+) button. The light will turn on a maximum intensity and the light indicator icon will illuminate on the control panel.

To reduce the intensity of the light, press the LIGHT (-) minus button. To turn the light off, continue pressing the LIGHT (-) minus button until the underwater light (and light indicator) is off.

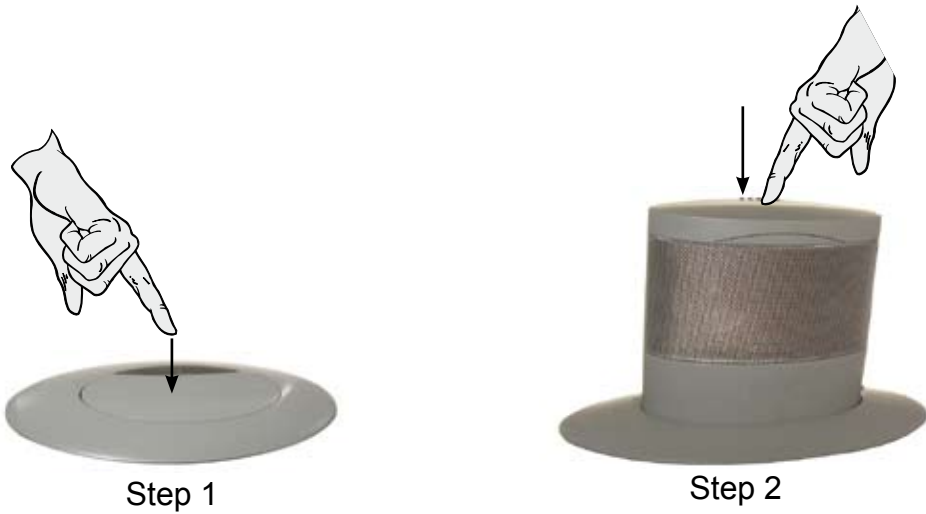


SPEAKER OPERATION (OPTIONAL EQUIPMENT)

Your Hot Spring spa is designed to accommodate 2 pop-up speakers should you choose to add a Moonlight entertainment system.

To operate the pop-up speakers:

1. To raise speaker, press down on top of speaker, release to allow speaker to raise unassisted.
2. To lower speaker, press down on top of speaker until it stops, release to allow speaker to remain in lower position.



NOTE: Make sure pop-up speakers are in the DOWN position before closing the spa cover.

SUMMIT (MODEL SSE) JET SYSTEM MENU



JET PUMP 1–JET SYSTEM 1

Left SmartJet® lever in the 3 o'clock position

- 3 Jet-Cluster™ system on rear wall (2-dual port rotary, 1-Directional hydromassage)
- 2-Soothing Seven® jets on right wall
- 1 Moto-Massage® DX jet on right front
- 6 Directional Precision® jets on left wall



JET PUMP 2–JET SYSTEM 1

Right SmartJet lever in the 3 o'clock position

- 6 HydroStream jets left back wall
- 1 Water Feature
- 4 HydroStream jets with 2-directional hydromassage jets right back wall



JET PUMP 1–JET SYSTEM 2

Left SmartJet lever in the 9 o'clock position

- 4 directional Precision jets on left back wall
- 2 rotary Precision jets in armrest (wrist jets)
- 4 directional Precision jets on right back wall
- 1 Moto-Massage DX jet on right front
- 2 FootStream® jets in FootWell system



JET PUMP 2–JET SYSTEM 2

Right SmartJet lever in the 9 o'clock position

- 2 HydroStream jets left back wall
- 2 directional Precision jets in left back seat (calf area)
- 2-directional hydromassage jets right back wall
- 2 directional Precision jets in right back seat (calf area)
- 4 directional Precision jets above right front Moto-Massage DX jet
- 2 directional hydromassage in lounge FootWell

GRANDEE (MODEL GGE) JET SYSTEM MENU



JET PUMP 1–JET SYSTEM 1

Left SmartJet® lever in the 3 o'clock position

- 1 Moto-Massage DX jet on left rear
- 3 Jet-Cluster system on back wall (1 directional hydromassage, 2-dual port rotary)
- 1 Moto-Massage DX jet on right rear
- 2-Soothing Seven on left wall



JET PUMP 2–JET SYSTEM 1

Right SmartJet lever in the 3 o'clock position

- 4 directional Precision jets on right wall
- 10 directional Precision jets on right front
- 1 directional hydromassage jet on left wall
- 1 Water Feature



JET PUMP 1 –JET SYSTEM 2

Left SmartJet lever in the 9 o'clock position

- 1 Moto-Massage DX jet on left rear
- 4 directional Precision jets above left Moto-Massage jet
- 2 directional Precision jets on left seat (calf area)
- 1 Moto-Massage DX jet on right rear
- 4 directional Precision jets above right Moto-Massage jet
- 2 directional Precision jets on right seat (calf area)



JET PUMP 2–JET SYSTEM 2

Right SmartJet lever in the 9 o'clock position

- 4 directional Precision jets on right wall
- 1 FootStream jet on right wall
- 2 FootStream jets in FootWell System
- 1 Water Feature

ENVOY (MODEL KKE) JET SYSTEM MENU



JET PUMP 1–JET SYSTEM 1

Left SmartJet lever in the 3 o'clock position

- 2 rotary *Precision* jets on left seat armrest (wrist jets)
- 2 directional *Precision* jets on left seat (calf area)
- 4 *HydroStream* jets on right back wall
- 1 *Moto-Massage DX* jet on right front wall
- 1 *FootStream* jet in *FootWell* System



JET PUMP 2–JET SYSTEM 1

Right SmartJet lever in the 3 o'clock position

- 7 directional *Precision* jets on left back wall
- 4 *HydroStream* jets on left back wall
- 3 *Jet-Cluster* system on back wall (2-dual port rotary, 1-directional hydromassage)
- 1 Water Feature



JET PUMP 1–JET SYSTEM 2

Left SmartJet lever in the 9 o'clock position

- 4 *HydroStream* jets on right back wall
- 2-*Soothing Seven* jets on right wall
- 1 *Moto-Massage DX* jet on right front wall
- 4 directional *Precision* jets above right front *Moto-Massage DX* jet



JET PUMP 2–JET SYSTEM 2

Right SmartJet lever in the 9 o'clock position

- 2-directional hydromassage jets right back wall
- 2 directional *Precision* jets on right back wall (calf area)
- 2 *HydroStream* jets in lounge *FootWell*
- 2 *FootStream* jets in *FootWell* system
- 1 Water Feature

ARIA (MODEL ARE) JET SYSTEM MENU



JET PUMP 1

- 4 *Precision* jets on left back wall
- 4 *HydroStream* jets on left back wall
- 1-Directional hydromassage on back wall
- 1 *Moto-Massage DX* jet on right back wall
- 1 *JetStream* jet in *FootWell* System



JET PUMP 2 JET SYSTEM 1

SmartJet lever in the 3 o'clock position

- 2-dual port rotary jets on back wall
- 4 *Precision* jets above *Moto-Massage DX*
- 1 Water Feature
- 2 Directional hydromassage on front right wall
- 2-*Soothing Seven* jets on left wall



JET PUMP 2 JET SYSTEM 2

SmartJet lever in the 9 o'clock position

- 2 Directional hydromassage on left back wall
- 1 Water Feature
- 4 *Precision* jets in lounge (calf jets)
- 1 *JetStream* jet in *FootWell* System
- 6 *Precision* jets on left wall

VANGUARD (MODEL VVE) JET SYSTEM MENU



JET PUMP 1-JET SYSTEM 1

- 1 *Moto-Massage* jet on left rear
- 4 directional *Precision* jets above left *Moto-Massage* jet
- 2 directional *Precision* jets on left rear seat (calf area)
- 1 *Moto-Massage* DX jet on right rear
- 4 directional *Precision* jets above right *Moto-Massage* DX jet
- 2 directional *Precision* jets on right rear seat (calf area)



JET PUMP 2-JET SYSTEM 1

SmartJet lever in the 3 o'clock position

- 10 directional *Precision* jets on back wall
- 1-directional hydromassage jet on right wall
- 2 *Soothing Seven* jets on left wall



JET PUMP 2-JET SYSTEM 2

SmartJet lever in the 9 o'clock position

- 3 Jet-Cluster system on right wall (2-dual port rotary, 1-directional hydromassage)
- 2 *JetStream* jets in *FootWell* System

SOVEREIGN (IIE) JET SYSTEM MENU



JET SYSTEM 1

SmartJet lever in the 3 o'clock position

- 1 Moto-Massage DX jet on left rear
- 4 directional Precision jets above Moto-Massage jet
- 10 directional Precision jets on right rear
- 3 Jet-Cluster system on right front (2-dual port rotary, 1-directional hydromassage)
- 1 directional Precision jet in lounge FootWell



JET SYSTEM 2

SmartJet lever in the 9 o'clock position

- 1 Moto-Massage DX jet on left rear
- 1 directional hydromassage jet on back wall
- 10 directional Precision jets on right rear
- 2 directional hydromassage jets on right wall
- 1 JetStream jet in FootWell System
- 1 directional hydromassage jet on right front

PRODIGY (HE) JET SYSTEM MENU



JET SYSTEM 1

SmartJet lever in the 3 o'clock position

- 10 directional *Precision* jets on right rear
- 2 dual port rotary jets on left rear
- 1 directional hydromassage jet on left wall
- 2-*Soothing Seven* jets on front left



JET SYSTEM 2

SmartJet lever in the 9 o'clock position

- 1 *FootStream* jet on rear wall
- 3 *Jet-Cluster* system on left rear (2-dual port rotary, 1-directional hydromassage)
- 2 stacked directional hydromassage jets on right wall

JETSETTER (JJE) JET SYSTEM MENU



JET SYSTEM 1

SmartJet lever in the 3 o'clock position

- 1 *Moto-Massage DX* jet on left rear
- 4 directional *Precision* jets above *Moto-Massage DX* jet
- 4 *HydroStream* jets on right back wall
- 1 *FootStream* jet on front left



JET SYSTEM 2

SmartJet lever in the 9 o'clock position

- 1 *Moto-Massage DX* jet on left rear
- 4 *HydroStream* jets on right back wall
- 3 *Jet-Cluster* system on front right (2-*dual port rotary* jets, 1 directional hydromassage jet)

SPA CARE AND MAINTENANCE

GENERAL INFORMATION

Your *Hot Spring* spa is manufactured from the highest quality, most durable materials available. Even so, the spa care and maintenance program you develop will ultimately determine how long your spa, and its individual components, will last. Regular maintenance and following the advice in this section will help you to protect your investment.

DRAINING THE WATER

Detergent residues from bathing suits and soap film from your body may gradually accumulate in your spa's water. Normally, in about four months the water will become sudsy and should be replaced. Showering without using soap prior to entering the spa, or using only the rinse cycle when laundering your bathing suit, will help to reduce detergent residue in the spa water.

IMPORTANT: Remember to change your water every three to four months.

TO DRAIN YOUR SPA:

1. Disconnect the spa from the power supply by tripping both of the GFCI breakers located in the subpanel.
2. Locate the main drain valve for the spa and remove the drain cap. Attach the inlet of a garden hose to the drain valve (to avoid flooding of the foundation surrounding the spa) and route the outlet of the hose to an appropriate draining area.

NOTE: Spa water with a high sanitizer level may harm plants and grass.

3. Open the valve by turning the knob. The spa will drain by gravitational flow.

IMPORTANT: All *Hot Spring* spa models will drain almost completely through the main drain valve and the secondary drain. Equipment such as the jet pump and heating system will drain. Any water remaining within the plumbing or equipment after draining will only need to be removed if the spa is being winterized.

4. Allow most of the water to drain through the main drain.
5. Remove threaded cap from secondary drain. This will drain the remaining water (about one gallon) from the bleedline system.
6. When empty, inspect the spa shell and clean as required. (Follow the Care of the Exterior Finish instructions.)
7. Close the drain valve and reinstall the drain cap.
8. Reinstall threaded cap onto secondary drain.
9. Refill the spa through the filter compartment BEFORE restoring power.

IMPORTANT: Always clean and rotate the filter cartridges each time the spa is drained for cleaning.

PREVENTION OF FREEZING

Your spa has been designed and engineered for year-round use in any climate. In some areas, extremely cold temperatures (below -12°C) combined with strong wind, may cause partial freezing of the jet pump, even though the water inside the spa remains at the selected temperature. The energy efficiency of the spa may also decrease during these cold periods, as the heater will cycle more frequently. As an additional precaution against partial freezing of some of the components, the equipment compartment can be insulated with an insulating kit (available from your local dealer). This insulating kit will also help to maximize the spa's energy efficiency.

NOTE: When warmer weather returns (approx. $15^{\circ}\text{-}21^{\circ}\text{C}$), the insulating kit must be removed to prevent overheating of the jet pump.

WINTERIZING YOUR SPA

If you leave the spa unused for a long period of time in severely cold weather, you should drain the spa and winterize it to avoid accidental freezing due to a power or equipment failure.

Danger: Use only Propylene Glycol as your anti-freeze (available at most RV or marine supply stores). This is non-toxic. Never use an automobile anti-freeze (Ethylene Glycol) since it is toxic!

Warning: Failure to follow these instructions correctly can lead to freeze damage not covered by warranty. It is strongly recommended that you contact your local dealer to perform this service

1. Drain your spa following the Draining Your Spa section in the owner's manual.
2. Remove the filter cartridges, clean and store in a dry place.

IMPORTANT: These additional instructions must be utilized when draining and winterizing your spa in climates where the temperature falls below 0°C . A 19 liter combination (vacuum/blower) wet/dry shop vac must be used to effectively remove water that is trapped inside the plumbing lines.

3. Attach the vacuum's hose to the blower side of the shop vac.
 - a) Remove the filter standpipes by turning them counterclockwise. (The standpipes may have a silicone sealant temporarily holding

them in place and it may take firm pressure to get them to initially break free.)

- b) Place the end of the vacuum hose in one of the filter openings and cover the closest filter opening with a clean rag.
 - c) Turn on the blower function and allow it to blow out any water remaining in the plumbing lines (approximately 3 to 5 minutes).
 - d) Turn the *SmartJet* lever to the second position and allow that system to purge.
 - e) If your spa is equipped with more than two jet systems, then each jet system will also need to be blown out.
4. Attach the vacuum hose to the vacuum side of the shop vac. Vacuum all openings and orifices as follows:
 - a) Jet openings: start with the jets at the top and move downward (if suction is coming from another jet, block off the other jet using a large rag – this will help pull out the water that is trapped deeper inside the main line).
 - b) BellaFontana water feature, if applicable (plug 2 openings and use the shop vac to pull water from the 3rd opening).
 - c) Filter compartment and *Moto-Massage* niche, if applicable (removal of the faceplate may be necessary).
 - d) Main drain outlet (it may be necessary to cover the drain grate tightly with a rag when vacuuming the main drain and secondary freeze drain outlets to ensure water is drawn completely from the internal plumbing system).
 - e) Secondary drain outlet and allow it to draw any remaining water from the spa's bleedlines (approximately 3 to 5 minutes).
 5. Thoroughly dry the spa shell with a clean towel.
 6. Replace the main and secondary drain caps.

CAUTION: Use only Propylene Glycol as your anti-freeze. This is non-toxic. Never use an automobile anti-freeze (Ethylene Glycol) since it is toxic!

7. Using a long-extension funnel, pour anti-freeze into all standpipes, filter suction fittings, jet orifices and Bella Fontana orifices. Add enough anti-freeze to ensure adequate protection – in many cases, you will see the liquid in the orifice, or coming out of another location. Re-install the filter standpipes if removed.
8. Close the spa cover and fasten the cover tie downs. Cover the spa cover with two pieces of plywood to evenly distribute the weight of snow and ice. Secure a plastic sheet, or tarp, over the spa cover and plywood.
9. Replace the equipment access door, if removed.

OPENING INSTRUCTIONS:

1. Remove plywood and plastic sheet. Open the spa cover by unfastening the cover tie downs.
2. Open drain to remove anti-freeze. Replace drain cap.
3. Follow the Start-up and Refill Procedures in the Operating Instructions section of the Owner's Manual. Do not install filters to prevent them from exposure to the anti-freeze.
4. As part of this process, superchlorinate the spa water by adding three teaspoons of chlorine (sodium dichlor) per 950 liters of spa water into the filter compartment. This is twice the normal amount of chlorine needed for superchlorination. This extra amount of chlorine is needed to destroy the anti-freeze.

NOTE: A defoamer may be needed to decrease the amount of foam caused by the anti-freeze.

5. Drain your spa to ensure removal of anti-freeze. Do not drain water on grass or plants due to excessive chlorine level.
6. After the spa has completely drained, re-install your filters and follow the Start-up and Refill Procedures in the Operating Instructions section of the Owner's Manual.

IMPORTANT: Always keep spa covered when not in use, whether it is empty or full

FILTER SYSTEM

Hot Spring spas are equipped with balanced filtration, meaning that the filter cartridges are sized to meet the needs of the jet pump system. Additionally, a separate filter is dedicated to serving the 24-hour circulation system.

As with any water filtering system, the filter cartridges may become clogged, resulting in reduced water flow. It is important to maintain a clean, unobstructed filtering system. This not only provides the maximum performance from the jets, but allows the 24 hour filtration system to function effectively. *Watkins Manufacturing Corporation recommends the filter cartridges be cleaned (by soaking to dissolve minerals) at least once every month. The Tri-X[®] filter (standard on Summit, Grandee, Envoy and Aria models only) can also be cleaned in the dishwasher using no soap and no dry cycle. Please contact your Hot Spring dealer for details.*

SERVICE NOTE: Rotating the placement of the filter cartridges within the filter compartment after each cleaning will help to extend their service life.

△ **WARNING:** The frequency and duration of use, and the number of occupants, all contribute to determining the appropriate time between filter cleanings. More use means that more frequent filter cleanings are required. Failure to maintain the cartridges in a clean, unobstructed manner will result in reduced water flow through the heater assembly that may cause the High-Limit

Thermostat, Heater Thermal Cut-off or Circulation Pump Thermal Cut-off to trip. If this high-limit or thermal cut-off trip occurs during sub-freezing temperatures and goes unnoticed, the spa water may freeze. Any damage to the spa (due to freezing) caused as a result of poor maintenance (stated under misuse or abuse in the *Hot Spring* spa Limited Warranty), will not be covered by your spa warranty.

- ⚠ **DANGER:** To reduce the risk of injury to persons using the spa, DO NOT remove the suction fittings (filter standpipes) located in the filter compartment and do not sit on the filter lid, in extreme cases the lid could crack and break. This occurrence is considered abuse and is not covered under warranty.

FILTER CARTRIDGES REMOVAL & CLEANING

1. Disconnect the spa from the power supply by tripping both of the GFCI breakers located in the subpanel.
2. Remove and carefully set aside the filter compartment cover.
3. Remove any floating items from within the filter compartment.
4. Turn the filter retainer handle (located on the top of the filter cartridge) counterclockwise until the retainer can be removed from the filter standpipe.
5. Remove the filter retainer and cartridge.

SERVICE NOTE: Never remove the filter standpipes when debris is present in the filter compartment. Debris may find its way into the internal plumbing which may result in blockage. NEVER REMOVE SUCTION FITTINGS.

6. Always clean standard filter using a filter degreaser, such as *Hot Spring FreshWater* Filter Cleaner, to remove mineral and oil buildup. Simply soak the filter in the degreaser according to the package directions, then place the filter on a clean surface and spray until clean using a garden hose. It may be necessary to rotate the filter while spraying to remove any debris lodged between the filter pleats. The *Tri-X* filter (standard on Summit, *Grandee*, *Envoy* and *Aria* models only) can be cleaned in the dishwasher using no soap and no dry cycle. Please contact your *Hot Spring* dealer for details.
7. To reinstall the filter cartridge, reverse the order of steps in which it was removed. Do not overtighten!

- ⚠ **WARNING:** Do not use the spa with the filter cartridges, or filter standpipe(s) removed!

CARE OF THE SPA PILLOWS

The spa pillows will provide years of comfort if treated with care. They have been positioned above the water level to minimize the bleaching effects of chlorinated water, and other spa water chemicals. To extend their life, whenever the spa shell is being cleaned, the spa pillows should be removed and cleaned. Body oils can be removed with a mild soap and water solution. ALWAYS rinse off the spa pillows thoroughly to remove any soap residue. The pillows can be conditioned with *Hot Spring* Cover Shield after cleaning. If the spa is not going to be used for a long period of time (that is during a vacation, or if the spa is winterized), or when the spa water is being super-chlorinated, the spa pillows should be removed until the next spa use.

To remove and replace the spa pillows:

1. Carefully pull and lift on one end of pillow to stretch pillow (longer) until the pillow is released from the plastic retainer. Once one end is released, push pillow in opposite direction to remove from other retainer.
2. Align pillow by locating the arrow on back side of pillow and facing the arrow upwards.
3. Slide one end of pillow onto the spa retainer.
4. Pull other end of pillow; using both hands lift pillow above retainer and with a stretching motion slide pillow recess onto retainer.

CARE OF THE EXTERIOR

SPA SHELL

Your *Hot Spring* spa has an acrylic shell. Stains and dirt generally will not adhere to your spa's surface. A soft rag or a nylon scrubber should easily remove most dirt. Most household chemicals are harmful to your spa's shell. Watkins Manufacturing Corp. recommends *HotSpring FreshWater* Spa Shine for minor surface cleaning. Always thoroughly rinse off any spa shell cleaning agent with fresh water.

SERVICE NOTES:

1. Iron and copper in the water can stain the spa shell if allowed to go unchecked. Ask your *Hot Spring* dealer about a Stain and Scale Inhibitor to use if your spa water has a high concentration of dissolved minerals. (Watkins recommends *FreshWater* Stain & Scale Defense.)
2. The use of alcohol or any household cleaners other than those listed to clean the spa shell surface is NOT recommended. DO NOT use any cleaning products containing abrasives or solvents since they may damage the shell surface. **NEVER USE HARSH CHEMICALS!** Damage to the shell by the use of harsh chemicals is not covered under the warranty.

IMPORTANT: Some surface cleaners contain eye and skin irritants. Keep all cleaners out of the reach of children and use care when applying.

EVERWOOD® SPA CABINET

Hot Spring spas include an Everwood spa cabinet. Everwood consists of a rigid polymer that combines the durability of plastic with the beauty of real wood. Everwood won't crack, peel, blister or delaminate even after prolonged exposure to the elements.

Cleaning of Everwood consists of simply spraying the cabinet with a mild soap and water solution to remove any stains and residue.

Do not rub the Everwood with an abrasive material or use abrasive cleaners as this may damage its texture.

Watkins Manufacturing Corp. recommends touch-up or restaining of the Everwood every three to four years (this will vary according to the environment). Contact your local dealer for restaining procedures and recommended stains.

CARE OF THE SPA COVER

⚠ **WARNING:** The cover is a manual safety cover that meets or exceeds all prevailing requirements of ASTM Standards for spa safety covers when installed and used correctly as of the date of manufacture. Non-secured, or improperly secured covers are a hazard.

Open the cover to its fully open position before use.

VINYL COVER

The vinyl spa cover is an attractive, durable foam insulation product. Monthly cleaning and conditioning are recommended to maintain its beauty.

To clean and condition the vinyl cover:

1. Remove the cover from the spa and gently lean it against a wall or fence.
2. With a garden hose, spray the cover to loosen and rinse away dirt or debris.
3. Using a large sponge and/or a soft bristle brush, and using a very mild soap solution (one teaspoon dishwashing liquid with two gallons of water), or baking soda (sodium bicarbonate), scrub the vinyl top in a circular motion. Do not let the vinyl dry with a soap film on it before it can be rinsed clean.
4. Scrub the cover's perimeter and side flaps. Rinse clean with water.
5. Rinse off the underside of the cover with water only (use no soap), and wipe it clean with a dry rag.
6. To condition the cover after cleaning, apply a thin film of *Hot Spring* Cover Shield to the vinyl surface and buff to a high luster.

SERVICE NOTE: To remove tree sap, use cigarette lighter fluid (not charcoal lighter fluid). Use sparingly, and rinse with a saddle soap solution immediately afterwards, then wipe dry.

Important reminders:

- **DO** remove snow buildup to avoid breakage of the foam core from the additional weight of the snow.
- **DO** lock cover lock straps to secure the cover when the spa is not in use.
- **DO NOT** drag or lift the spa cover using either the flaps, or the cover lock straps.
- **DO NOT** walk, stand, or sit on the cover.
- **DO NOT** place any metal or heat transferring object on the cover or place any type of plastic tarp or drop cloth over the cover as this may result in a melted foam core, which would not be covered under the warranty.
- **DO NOT** use any lifting mechanisms, chemicals, or cleaners except those recommended by Watkins Manufacturing Corporation, or its Authorized Sales and Service Dealer.

RETRACTABLE COVER SYSTEM

Clearance required behind cover when open:

- CoverCradle® & CoverCradle II - 61 cm
- UpRite® - 18 cm
- GlideRite® - 36 cm
- Lift 'n Glide® - 36 cm

HOW TO OPEN THE VINYL COVER

NOTE: Never attempt to open or remove the vinyl cover by grasping or pulling on the skirting or cover lock straps. The skirting will tear, and torn skirting is not covered under the terms of the warranty.

Check for ice build-up around the gas springs and pivot points of the retractable cover system. Ice buildup may damage system components.

⚠ **WARNING:** The vinyl cover and retractable cover system are not recommended for use in wind conditions reaching above (40 km/h).

NOTE: If your spa is located in an area susceptible to high winds, additional coverlock straps may be installed to minimize wind damage to the cover.

How to Open the Cover

1. With the cover lock straps unfastened, place one hand under the cover skirting, between the spa and cover, to break the cover's vacuum seal. Then, fold the front half of the cover over onto the back half.
2. If no rear access is available, stand to the side of the spa directly adjacent to the hinge area of the folded cover.
 - A. **For the CoverCradle retractable cover systems:** Using both hands, cup one hand under the lower half of the cover (just above the water) and place the other along the side of the cover, just above the skirt. Gently push (do not lift) with both hands towards the opposite rear corner of the cover (diagonally). As the cover opens, the gas springs will allow the cover to come to a gentle stop.
 - B. **For the UpRite or GlideRite retractable cover system:** Simply lift the cover at its center hinge, allowing it to move to the back of the spa and to rest gently there.
 - C. **For the Lift 'n Glide retractable cover system:** Slightly lift the cover at front of spa, glide (push back until it stops), fold cover in half and lift cover moving it to the back of the spa. Insert locking pin into side of lifter to prevent accidental closure.

NOTE: When opening a cover with a retractable cover system, only use one of these three specific methods. Do not attempt to open the cover in any other way. Damage caused by improper opening or closing of the cover is not covered under the terms of the limited warranty.

How to Close the Cover

1. Standing along side the cover, place one hand on the upper corner of the cover and gently push forward in the direction of the spa. The cover will rotate forward to cover half of the spa.

NOTE: For the UpRite, GlideRite or Lift 'n Glide retractable cover system, disengage the locking mechanism(s) before pushing the cover forward.
2. Unfold the cover by lifting the handle located on the top (front) half of the cover. Allow the unfolded half to fall down onto the spa. The air pressure created by the cover falling will keep the vinyl skirting from being trapped between the cover and the spa shell.
3. Secure the cover lock straps to the spa and lock them.

Important reminders:

- **DO** always practice safety around your spa.
 - **DO** unlock and release all cover locks before attempting to open cover.
 - **DO** lock the cover when the spa is not in use.
 - **DO** cover the spa with the vinyl cover when the spa is not in use, whether it is empty or full.
 - **DO** remove snow build-up to prevent cover damage.
 - **DO** keep the cover open during super-chlorination or shock treatment of the spa water.
 - **DO NOT** walk, stand, climb, or sit on the vinyl cover or retractable cover system.
 - **DO NOT** lift the cover or operate the retractable cover system by using the cover locks. They are not designed to be used as handles.
 - **DO NOT** use any chemicals or cleaners except those recommended by Watkins Manufacturing Corporation, or its Authorized Sales and Service Dealer.
 - **DO NOT** use hard, sharp, or metal objects, such as a car windshield scraper, to remove ice. Such objects can cut, mar, or puncture the vinyl surfaces.
- ⚠ **WARNING:** Keep unsupervised children away from the cover. Always lock the cover in place after use! Keep hands away from the hinging points. Do not allow anyone to climb, sit, or stand on the cover when in the open position. Injury may occur, as well as damage to the cover and mechanism.

VACATION CARE INSTRUCTIONS

If you plan to be away from home, follow these instructions to ensure that the water quality of your spa is maintained:

SHORT TIME PERIODS (3-5 DAYS):

1. Adjust the pH by following the instructions outlined in the Water Quality and Maintenance section.
2. Sanitize the water by following the shock procedures also listed in the Water Quality section.
3. Lock your cover in place using the coverlocks.
4. Upon your return, sanitize the water by following the shock procedures, and balance the pH.

LONG TIME PERIODS (5-14 DAYS):

Prior to leaving:

1. At least one day before you leave, set the temperature to its lowest level. This setting should represent an approximate water temperature of 27°C.

IMPORTANT NOTE: Spa water oxidizers such as sodium dichlor (chlorine) maintain their level of effectiveness substantially longer in warm water (27°C) than in hot water (38°C to 40°C).

2. Adjust the pH as required. Sanitize the water by following the shock procedures.

Upon your return:

- Sanitize the water by following the shock procedures. Return the set temperature to its original setting. The spa water will be safe for you to use once the Free Available Chlorine residual level has dropped below 5.0 ppm.

NOTE: If you will not be using your spa for an extended period of time (in excess of 14 days) and an outside maintenance service (or neighbor) is not available to assist with the water maintenance, draining or winterizing of the spa is recommended. Spas equipped with our *FreshWater* III ozone system can extend this to 4 weeks. The *FreshWater* III ozone system does not guard against possible freezing damage, however.

WATER QUALITY AND MAINTENANCE

It's important to have clean water. Water maintenance is one of the least understood, yet most important, areas of spa ownership. Your dealer can guide you through the process of achieving and maintaining perfect water in your spa, given your local conditions. Your program will depend on your water's mineral content, how often you use your spa, and how many people use it. Here is our suggested step-by-step program:

Watkins Manufacturing Corporation has developed the *EverFresh* water care system for its spas, which is an alternative to using an entirely chlorine-based system. This system uses silver ions, ozone, and an oxidizer (monopersulfate, or MPS) and dichlor to sanitize the spa. It includes the *FreshStart* 10,000 pre-filter, the *FreshWater* III high output ozone system, and the *FreshWater* Ag⁺ silver ion purifier. Watkins recommends the use of *Hot Spring FreshWater* products. These are available from authorized Hot Spring dealers.

GENERAL INFORMATION

THE THREE FUNDAMENTAL AREAS OF WATER MAINTENANCE:

- **Water Filtration**
- **Chemical Balance/pH Control**
- **Water Sanitation**

Water sanitation is the responsibility of the spa owner, achieved through the regular and periodic (daily, if necessary) addition of an approved sanitizer. The sanitizer will chemically control the bacteria and viruses present in the fill water or introduced during use of the spa. Bacteria and viruses can grow quickly in undersanitized spa water.

The water's chemical balance and pH control are also the responsibility of the spa owner. You will have to add chemicals to maintain proper levels of Total Alkalinity (TA), Calcium Hardness (CH) and pH. Proper water balance and pH control will minimize scale buildup and corrosion of metals, extend the life of the spa, and allow the sanitizer to work at maximum efficiency.

METHODS FOR TESTING THE SPA WATER

Accurate water testing and analysis are an important part of effectively maintaining your spa water. You must have the ability to test for:

- Total Alkalinity (TA)
- Calcium Hardness (CH)
- pH
- Sanitizer

Two types of testing methods are recognized and recommended by Watkins Manufacturing Corporation:

The Reagent Test Kit is a method which provides a high level of accuracy. The reagents come in either liquid or tablet form.

Test Strips are a convenient testing method used by many spa owners. Keep in mind that test strips are susceptible to heat and moisture contamination, which will result in inaccurate readings.

IMPORTANT: Always read and carefully follow the directions included with the Test Kit or Test Strips to ensure the accuracy of the test results.

BASIC CHEMICAL SAFETY

When using chemicals, read the labels carefully and follow directions precisely. Though chemicals protect you and your spa when used correctly, they can be hazardous in concentrated form. Always observe the following guidelines:

- Allow only a responsible person to handle spa chemicals. **KEEP THEM OUT OF THE REACH OF CHILDREN.**
- Accurately measure the exact quantities specified, never more. Do not overdose your spa.
- Handle all containers with care. Store in a cool, dry, well ventilated place.
- Always keep chemical containers closed when not in use. Replace caps on their proper containers.
- Don't inhale fumes, or allow chemicals to come in contact with your eyes, nose, or mouth. Wash your hands immediately after use.
- Follow the emergency advice on the product label in case of accidental contact, or if the chemical is swallowed. Call a doctor or the local Poison Control Center. If a doctor is needed, take the product container along with you so that the substance can be identified.
- Don't let chemicals get on surrounding surfaces or landscaping. Don't use a vacuum cleaner to clean up chemical spills.
- Never smoke around chemicals. Some fumes can be highly flammable.
- Don't store any chemicals in the spa equipment compartment.

HOW TO ADD CHEMICALS TO THE WATER

IMPORTANT: All spa water chemicals, including granulated dichlor, MPS, granulated pH increaser or decreaser, granulated total alkalinity increaser, liquid stain and scale inhibitor, and liquid defoamer must always be added directly into the filter compartment while the jet pump is running in its high speed mode, and it must run for a minimum of ten minutes.

To Administer Spa Water Chemicals:

1. Fold back the cover. Carefully remove and set aside the filter compartment cover.
2. Push the CLEAN soft button (on home screen) to turn on the jet pump.
3. Carefully measure the recommended amount of chemical and slowly pour it into the filter compartment. Use care not to splash chemicals on your hands, in your eyes, on the spa shell surface, or on the spa cabinet.
4. Replace the filter compartment cover. After ten minutes, the jet pump will automatically shut off to complete the procedure. Close and secure the cover. **Risk of Drowning:** Never leave an open spa unattended!

IMPORTANT “SUPER CHLORINATION/NON-CHLORINE SHOCK TREATMENT” NOTE: After administering a super chlorination treatment or non-chlorine shock to your spa, leave the cover open for a minimum of 20 minutes to allow the oxidizer gas to vent. A high concentration of trapped oxidizer gas which may exist as a result of the shock treatment (not daily sanitation) may eventually cause discoloration or vinyl degradation to the bottom of the cover. This type of damage is considered chemical abuse and is not covered under the terms of the limited warranty.

THE HOT SPRING SPA WATER MAINTENANCE PROGRAM

Each step in your water maintenance program is dependent on the completion of the previous steps. Omitting a step, or failing to reach the recommended range may cause an imbalance in your water chemistry. Unbalanced water chemistry can damage the spa, and its components, as well as cause discomfort for the user.

FILLING THE SPA WITH WATER

- A. To prevent contaminants from entering the spa, Watkins recommends using the *FreshStart*_{10,000} pre-filter when filling the spa with water. Always fill the spa through the filter compartment.
- B. The *FreshStart*_{10,000} pre-filter is designed to remove unwanted contaminants such as rust, dirt, detergents, and algae from the fill water. Dissolved minerals and metals such as lead, calcium, copper, and iron are not removed.
- C. Instructions are included with the *FreshStart*_{10,000} pre-filter. When the spa is filled, proceed to the Start-Up and Refill Procedures section.

BALANCING THE TOTAL ALKALINITY (TA)

- A. The recommended Total Alkalinity (TA) for your spa water is 125-150 ppm.
- B. Total Alkalinity is a measure of the total levels of carbonates, bicarbonates, hydroxides, and other alkaline substances in the water. TA is referred to as the water's “pH buffer”. In other words, it's a measure of the ability of the water to resist changes in pH level.
- C. If the TA is too low, the pH level will fluctuate widely from high to low. Fluctuations in pH can cause corrosion or scaling of the spa components. **Low TA can be corrected by adding Hot Spring FreshWater pH/Alkalinity Up (sodium hydrogen carbonate).**
- D. If the Total Alkalinity is too high, the pH level will tend to be high and may be difficult to bring down. **It can be lowered by adding Hot Spring FreshWater pH/Alkalinity Down (sodium bisulfate).**
- E. Once the TA is balanced, it normally remains stable, although the addition of more water with a high or low alkalinity will raise or lower the TA reading of the water.
- F. When the Total Alkalinity is within the recommended range, proceed to the next step.

BALANCING THE CALCIUM HARDNESS (CH)

- A. The recommended Calcium Hardness (CH) level for your spa is 150-200 ppm.
- B. Calcium Hardness is a measure of the total amount of dissolved calcium in the water. Calcium helps control the corrosive nature of the spa's water. That's why calcium-low water (commonly known as “soft” water) is not recommended. It is very corrosive to the equipment, and can cause staining of the spa shell. If the calcium level is too low, we recommend using *Hot Spring FreshWater* Calcium Increaser to bring the calcium hardness level to within the recommended range.
- C. If the CH is too high (commonly known as “hard” water), formation of scale on the spa's shell surface and equipment can result. **CH can be decreased by dilution – a mixture of 75% hard and 25% soft water will be a good starting point.** If soft water is not available, or practical for you, a stain and scale control such as *Hot Spring*[®] *FreshWater* Stain and Scale Defense should be added to the spa water, according to instructions on its label.
- D. Once the CH is balanced, it normally remains stable, although the addition of more water with a high or low calcium content will raise or lower the CH reading of the water.
- E. When the Calcium Hardness is within the recommended range, proceed to the next step.

BALANCING THE pH

- A. The ideal pH level for your spa water is 7.4-7.6.
- B. The pH level is the measure of acidity and alkalinity. Values above 7 are alkaline; those below 7 are acidic. Maintaining the proper pH level is extremely important for:
- Optimizing the effectiveness of the sanitizer.
 - Maintaining water that is comfortable for the user.
 - Preventing equipment deterioration.
- C. If the spa water's pH level is too low, the following may result:
- The sanitizer will dissipate rapidly.
 - The water may become irritating to spa users.
 - The spa's equipment may corrode.

ALKALINE SPA WATER (SCALING ZONE)	8.2	ADD pH DECREASER TO LOWER pH
	7.8	
	7.6	
COMFORT ZONE	7.4	IDEAL
ACIDIC SPA WATER (CORROSIVE ZONE)	7.2	ADD pH INCREASER TO RAISE pH
	6.8	
	pH	

If the pH is too low, it can be increased by adding *Hot Spring FreshWater* pH/Alkalinity Up (sodium hydrogen carbonate) to the spa water.

- D. If the pH level is too high, the following may result:
- The sanitizer is less effective.
 - Scale will form on the spa shell surface and the equipment.
 - The water may become cloudy.
 - The filter cartridge pores may become obstructed.

If the pH is too high, it can be decreased by adding *Hot Spring FreshWater* pH/Alkalinity Down (sodium bisulfate) to the spa water.

NOTE: After adding pH/Alkalinity Up (sodium hydrogen carbonate) or pH/Alkalinity Down (sodium bisulfate), wait two hours before testing the water for pH. Measurements taken too soon may not be accurate.

- E. It is important to check the pH on a regular basis. The pH will be affected by the bather load, the addition of new water, the addition of various chemicals, and the type of sanitizer used.
- F. When the pH is within the recommended range, proceed to the final step.

MAINTAINING THE SANITIZER LEVEL

- A. Sanitizer is extremely important for killing algae, bacteria and viruses, and preventing unwanted organisms from growing in the spa. At the same time, you don't want too high a sanitizer level, or it can irritate your skin, lungs, and eyes.
- B. Always maintain the sanitizer level in your spa at the recommended level for each type of sanitizer.
- C. Watkins recommends only the following sanitizers:
- Sodium Dichloro-s-Triazinetrione (sodium dichlor or chlorine), *Hot Spring FreshWater* Concentrated Chlorinating Granules
 - Brominating Concentrate™ (one step granular bromine)
 - Baqua Spa® (please consult your Baqua Spa manual for instructions on the use of this product).
 - Hot Spring *FreshWater* Three - Part Biguanide Water Care Products

THE WATKINS WATER MAINTENANCE QUICK REFERENCE GUIDE					
Steps	Ideal Range (ppm)		What Chemicals to Use		
	Min.	Max.	To Raise	To Lower	
1 Total Alkalinity	125	150	Sodium Hydrogen Carbonate, or Sodium Bicarbonate	Sodium Bisulfate	
2 Calcium Hardness	150	200	Calcium Hardness Increaser	Use a mixture of 75% hard water and 25% soft water or use a Stain and Scale Inhibitor	
3 pH	7.4	7.6		Sodium Bisulfate	
4 Sanitizer	See section on Maintaining the Sanitizer Level				

⚠ **WARNING:** DO NOT use tri-chlor chlorine, bromo-chloro-dimethyl-hydantoin (BCDMH), or any type of compressed bromine or chlorine, acid or any type of sanitizer which is not recommended by Watkins Manufacturing Corporation.

EVERFRESH WATER TREATMENT GUIDE

At spa startup or refill

Follow Start-Up and Refill Procedures section
NOTE: Use the *FreshStart*_{10,000} pre-filter when filling the spa to remove unwanted contaminants.

Prior to each use

Add one-half (½) teaspoon of chlorine per 950 liters



Add one (1) tablespoon of monopersulfate (MPS)* per 950 liters

(Test before adding any chemicals; do not add any chemicals if proper or higher levels are found.)

<i>Summit (Model SSE)</i>	1 teaspoon
<i>Grandee (Model GGE)</i>	1 teaspoon
<i>Envoy (Model KKE)</i>	¾ teaspoon
<i>Aria (Model ARE)</i>	¾ teaspoon
<i>Vanguard (Model VVE)</i>	¾ teaspoon
<i>Sovereign (Model IIE)</i>	¾ teaspoon
<i>Prodigy (Model HE)</i>	¾ teaspoon
<i>Jetsetter (Model JJE)</i>	½ teaspoon

<i>Summit (Model SSE)</i>	2 tablespoons
<i>Grandee (Model GGE)</i>	2 tablespoons
<i>Envoy (Model KKE)</i>	1 ½ tablespoons
<i>Aria (Model ARE)</i>	1 ½ tablespoons
<i>Vanguard (Model VVE)</i>	1 ½ tablespoons
<i>Sovereign (Model IIE)</i>	1 ½ tablespoons
<i>Prodigy (Model HE)</i>	1 ¼ tablespoons
<i>Jetsetter (Model JJE)</i>	1 tablespoons

Once a week

Add one and one-half (½) teaspoon of chlorine per 950 liters



Add three (3) tablespoon of monopersulfate (MPS)* per 950 liters

<i>Summit (Model SSE)</i>	3 teaspoons
<i>Grandee (Model GGE)</i>	3 teaspoons
<i>Envoy (Model KKE)</i>	2 ¼ teaspoons
<i>Aria (Model ARE)</i>	2 ¼ teaspoons
<i>Vanguard (Model VVE)</i>	2 ¼ teaspoons
<i>Sovereign (Model IIE)</i>	2 ¼ teaspoons
<i>Prodigy (Model HE)</i>	2 teaspoons
<i>Jetsetter (Model JJE)</i>	1 ½ teaspoons

<i>Summit (Model SSE)</i>	6 tablespoons
<i>Grandee (Model GGE)</i>	6 tablespoons
<i>Envoy (Model KKE)</i>	4 ½ tablespoons
<i>Aria (Model ARE)</i>	4 ½ tablespoons
<i>Vanguard (Model VVE)</i>	4 ½ tablespoons
<i>Sovereign (Model IIE)</i>	4 ½ tablespoons
<i>Prodigy (Model HE)</i>	4 tablespoons
<i>Jetsetter (Model JJE)</i>	2 ½ tablespoons

Every four months

Drain and refill your spa.
Replace the *FreshWater*_{Ag+} silver ion purifier
NOTE: Use the *FreshStart*_{10,000} pre-filter when filling the spa to remove unwanted contaminants.

As needed, if water is hazy, cloudy or has an odor

Add one and one-half (½) teaspoon of chlorine per 950 liters

<i>Summit (Model SSE)</i>	3 teaspoons
<i>Grandee (Model GGE)</i>	3 teaspoons
<i>Envoy (Model KKE)</i>	2 ¼ teaspoons
<i>Aria (Model ARE)</i>	2 ¼ teaspoons
<i>Vanguard (Model VVE)</i>	2 ¼ teaspoons
<i>Sovereign (Model IIE)</i>	2 ¼ teaspoons
<i>Prodigy (Model HE)</i>	2 teaspoons
<i>Jetsetter (Model JJE)</i>	1 ½ teaspoons

EVERFRESH WATER CARE SYSTEM

The *EverFresh* water care system is comprised of the following products:

- *FreshStart*_{10,000} Pre-filter
- Sodium Dichlor, HotSpring *FreshWater* Concentrated Chlorinating Granules
- Monopersulfate (MPS), HotSpring *FreshWater* Chlorine-Free Oxidizer
- *FreshWater* III high output ozone system
- *FreshWater*_{Ag+} silver ion purifier

***FreshStart*_{10,000} Pre-filter** is used when filling a spa for the first time or at refill. It attaches to a garden hose and filters out rust, dirt, detergents, algae and chemicals.

Sodium Dichlor (chlorine) is the only recommended sanitizer that will work in conjunction with all of the other products in this system.

FreshWater III high output ozone system uses Corona Discharge technology to produce a high concentration of ozone which is injected into the spa water.

Monopersulfate (MPS) is an oxidizing chemical used to prevent the buildup of contaminants, maximize sanitizer efficiency, minimize combined chlorine, and improve water clarity.

FreshWater_{Ag+} silver ion purifier introduces silver ions into the spa water, inhibiting bacteria growth. When combined with MPS, or chlorine, oxidizes particulates in the spa water.

It is important to follow the recommended application and maintenance programs outlined for each product's use.

If the spa is being used over an extended period of time, such as a whole afternoon or evening, additional sanitizer will be needed.

A weekly "shock treatment" is required.

The shock treatment quickly destroys any remaining contaminants while revitalizing the silver ion cartridge, allowing the silver ions to continue to be released into the water. Without this weekly shock treatment, the silver ion cartridge may stop releasing silver ions into the water.

To weekly "shock treat" your spa you may use either MPS or sodium dichlor. It will require much less sodium dichlor to administer the shock treatment than MPS (one teaspoon of sodium dichlor has oxidizing capabilities comparable to two tablespoons of MPS). Sodium dichlor may be a more appropriate weekly shock for those users that experience heavy bather load conditions.

IMPORTANT NOTE: MPS is an oxidizer, not a sanitizer.

FRESHWATER_{Ag+} SILVER ION PURIFIER REPLACEMENT INSTRUCTIONS

When replacing the *FreshWater_{Ag+}* silver ion purifier (every four months), it is highly recommended that the spa be drained and refilled at the same time. After refilling the spa with water, balance the Total Alkalinity (TA), Calcium Hardness (CH) and pH to the recommended levels. Shock the spa by adding sodium dichlor (See Sanitization Table for details).

1. Fold back the vinyl cover.
2. Carefully remove and set aside the filter compartment cover.
3. Remove any floating items within the filter compartment.
4. Locate the grey filter cap. Turn the filter cap counterclockwise until the cap can be removed from the filter standpipe.
5. Remove and clean filter cartridges.
NOTE: When replacing the *FreshWater_{Ag+}* silver ion purifier, it is an excellent time to clean and rotate the filters to extend their lives. To rotate the filters, simply move the filters from one standpipe to another. Typically, the filter on the circulation system (with grey filter cap, standpipe and wallfiting) is subject to the greatest load. By rotating the filters, the load placed on the individual filter by the circulation system is greatly reduced. This extends the life of the filters.
6. Remove the existing *FreshWater_{Ag+®}* silver ion purifier.
7. Install the new *FreshWater_{Ag+}* silver ion purifier into the filter standpipe. Do not force the *FreshWater_{Ag+}* silver ion purifier down into the filter standpipe.
8. Reinstall the cleaned filter cartridges.
9. Replace and secure the grey filter cap.
10. Replace the filter compartment cover.
11. Fold the cover back into place.

⚠ **WARNING:** Never use the spa with the filter cartridges or filter standpipes removed!

SILVER IONS QUESTIONS AND ANSWERS

Question: How are the silver ions actually added to the water?

Answer: The silver ion cartridge contains ceramic beads that are infused with silver. By placing the cartridge in the circulation pump filter standpipe, it is subjected to the continuous flow of water created by the pump's 24 hour circulation. The flowing water, through a chemical erosion process, carries with it the silver ions necessary to add a sanitizing residual to the spa water.

Question: What happens if I do not add the weekly shock treatment?

Answer: The contaminants in the water may coat the silver ion cartridge's ceramic beads, blocking the silver ions' release into the water. When this occurs, there will be no residual of silver ions present in the water, eliminating them from the sanitizing process.

Question: How often should the *FreshWater_{Ag+}* silver ion purifier cartridge be replaced?

Answer: The cartridge must be replaced every four months. Please refer to the instructions provided with each *FreshWater*_{Ag+} silver ion purifier cartridge.

Question: Can I use the *FreshWater* III ozone system in addition to the silver ion system?

Answer: Yes. In fact, it is preferred! The use of the *FreshWater* III ozone system will enhance the performance of the silver ions and may substantially reduce the need for supplemental chemical treatments when the spa is not in use.

Question: Why can't I use bromine or biguanides instead of MPS or chlorine?

Answer: Bromine and biguanides will chemically react with the sanitizing action of the silver ions. This will eliminate their beneficial sanitizing effect.

DOS AND DON'TS

- DO check your MPS or dichlor chemical level prior to each use.
- DO shock the spa weekly (use either MPS or sodium dichlor).
- DO change the *FreshWater*_{Ag+} silver ion purifier every four months.
- DO test Total Alkalinity and pH weekly.
- DO use MPS for spas only, such as *Hot Spring* MPS chlorine-free oxidizer.
- DO store all chemicals in a tightly sealed container in a cool, dry place.
- DON'T use bromine, sodium bromide or biguanides. These are an active sanitizer and will combine with the silver ions to inactivate them.
- DON'T use a water clarifier. Clarifiers will cause the spa water to become cloudy.

CHLORINE (SODIUM DICHLOR)

- A. Sanitizing chemicals, such as chlorine, are oxidants that kill bacteria and viruses in the water. The Free Available Chlorine (FAC) is a measure of the amount of unused chlorine available to sanitize the spa. The recommended FAC for your spa water is 3.0-5.0 ppm.
- B. Watkins Manufacturing Corporation recommends the use of HotSpring *FreshWater* Concentrated Chlorinating Granuals (sodium dichlor) for sanitizing the water. Sodium dichlor is preferred because it is totally soluble, dissolves quickly and is nearly pH neutral.
- C. Maintaining the proper level of chlorine during use is extremely important.
- D. If the FAC is too low, bacteria and viruses can grow rapidly in the warm water. **Increase the FAC by adding granulated sodium dichlor.**
- E. If the FAC is too high, the water can cause discomfort to the user's eyes, lungs and skin. **Simply allow some time to pass. The FAC level will naturally drop over time.**
- F. When the Free Available Chlorine is within the recommended range, the spa is ready to be enjoyed.

⚠ **WARNING:** There are several forms of stabilized chlorine available for use in spas and swimming pools and each form has specific chemical characteristics. It is extremely important that the one you choose is specifically designed for use in spas. Use of an incorrect product such as tri-chlor, which has a very low pH (2.6), dissolves too quickly in hot water resulting in extremely high levels of chlorine, and is designed for concrete or plaster swimming pools, **WILL** cause damage to your spa. Use of a liquid or any type of compressed bromine or chlorine, acid or any type of sanitizer which is not recommended by Watkins Manufacturing Corporation **WILL** damage your spa and is specifically not covered under the terms of the limited warranty.

IMPORTANT: Granulated chlorine (sodium dichlor) will degrade if stored improperly. We recommend purchasing chlorine in one, two, or five pound containers and storing it in a cool, dry place to maintain its potency.

SUPER CHLORINATION

Super Chlorination is designed to "burn-off" the build-up of chloramines (used chlorine), to eliminate the chlorine smell and to allow the proper level of free chlorine to be maintained.

When giving your water a super chlorination treatment, open the cover at least half way to allow the chlorine gas to vent off. The high concentration of chlorine gas which may exist as a result of super chlorination (not daily sanitation) may eventually cause discoloration or degradation to the bottom of the cover or the tile grouting, which would not be covered under the terms of your warranty.

IMPORTANT: Always allow the Free Available Chlorine to fall below 5 ppm before using your spa.

⚠ **WARNING:** Never leave an open spa unattended, especially if there are children present!

BUILDING A SANITIZER ROUTINE

During the first month of ownership, measure the sanitizer residual daily in order to establish standards for User Load and Usage Time versus Sanitizer Needed.

- The User Load of the spa is the number of times anyone enters the spa.
- The Usage Time is simply the amount of time a user spends in the spa.
- Sanitizer Needed is the amount of Free Available Chlorine needed to accommodate the number of users and their combined usage time.

For example, two spa users who regularly use the spa once an evening for twenty minutes create a specific and somewhat consistent demand on the sanitizer. During the first month of ownership, these two users can determine exactly how much sanitizer to use in order to maintain the proper residual. If, at any time, the user load and/or usage pattern changes dramatically (invited guests), the amount and frequency of sanitizer required increases dramatically.

The greater the usage time, or the bather load, the faster the residual value is diminished.

SUPPLEMENTAL WATER MAINTENANCE

Proper water sanitation and mineral balance (pH control) are absolutely essential for a complete spa water maintenance program. Here are three other popular water additives that are optional:

Mineral Deposit Inhibitors

As water evaporates from your spa and new water is added, the amount of dissolved minerals will increase. (Minimize evaporation by keeping the cover on the spa whenever possible.) The spa water may eventually become "hard" (Calcium Hardness too high) enough to damage the heater by calcifying its surface. Proper pH control can minimize this.

Normal soap build-up will require water replacement regularly enough that mineral deposits normally are not a problem.

Occasionally, high iron or copper content in the water may produce green or brown stains on the spa. A stain and scale inhibitor may help to reduce these metals.

NOTE: Well water may contain high concentrations of minerals. The use of a low water volume, extra-fine pore water filter (in-line pre-filter such as the *FreshStart*_{10,000} pre-filter) will help to remove many of the larger particles during the filling of the spa. In-line pre-filters can be purchased at your local *Hot Spring* dealer.

Foam Inhibitors

Spa water requires changing due to the buildup of soap in the water. Typically, soap will cause the spa water to foam when the jets are used. Soap is introduced into the spa water from two sources: users' bodies, which retain a soap residual after showering, and swimming apparel, which retains soap after washing.

Foam inhibitors can suppress foam, but cannot remove soap from the water. Soap is very difficult to remove from the water because soap is not oxidized by any chemical added to the spa. Only ozone can oxidize soap.

Eventually the soap build-up in the water will be concentrated, resulting in an unclean feeling on the bather's skin, which is impossible to remedy. When this occurs, it's time to drain and refill the spa. Depending on the soap input, the water should last about four months before needing to be drained.

OZONE

The *FreshWater* III ozone system utilizes Corona Discharge (CD) technology to produce a higher concentration of ozone than is produced by competing ultraviolet light (UV) ozone systems.

The under-the-skirt mounted *FreshWater* III high output ozone system unit offers less-visible installation and is less susceptible to the effects of freezing temperatures. To access it for inspection, remove the equipment compartment door to check the unit operation (this is usually done prior to disconnecting the power to the spa before draining). Simply listen for the buzz of the transformer to verify operation of the *FreshWater* III high output ozone system .

The *Hot Spring* spa *FreshWater* III high output ozone system greatly enhances the quality of the spa water when used to supplement the spa owner's regular water maintenance program. Contrary to some information circulated throughout the pool and spa industry regarding ozone systems, ozone **CAN NOT** be used as a single-source sanitizer, water clarifier, anti-foamer, and mineral chelating agent. A secondary source sanitizer must be used to maintain 2.0 ppm (2.0 mg/L) of Free Available Chlorine (FAC). Watkins Manufacturing Corporation recommends that a chemical maintenance program based on recognized and documented industry standards still be followed when using an ozone purification system to assure water sanitation and the highest quality purified water.

NOTE: Not applicable when using the AutoFresh™ water care system.

WARNING



Nitric acid accumulates in the air lines of the ozonator and injector. Nitric acid will cause severe chemical burns if direct skin contact is made, so always wear protective gloves, glasses and clothing when working on the ozonator or injector lines. To prevent inhalation or ingestion of the nitric acid, DO NOT blow or inhale with your mouth to any of the adapters, fittings or tubing of the ozonator or injector air lines.

WARNING



Cleaning the Ozone Injector

On occasion, a mineral build-up may clog the ozone injector, causing a lack of flow or low flow, of ozone bubbles. To prevent this, refer to the following instructions to clean the injector:

1. Disconnect power to the spa.
2. Access the equipment compartment.
3. Locate the ozonator in the equipment compartment.
4. Place ½ liter of white vinegar into a container such as a cup or bucket. Place the container on the equipment compartment floor. NOTE: White vinegar will not damage any of the spa components.
5. Carefully loosen the long clear tubing to the bottom of the ozonator. **A liquid substance may be found inside the tubing. If a liquid substance is present, BE CERTAIN NOT TO COME INTO CONTACT WITH THE LIQUID (SEE WARNING ABOVE).**
6. Place the end of the tubing into the vinegar, making certain that the end of the tubing sits at the bottom of the container.
7. Reconnect power to the spa.
8. Run the spa until the 0.5 liter of the vinegar is gone. This should allow an ample flow of vinegar to be run through the injector and clear the blockage.
9. Disconnect power to the spa.
10. Remove the empty cup or bucket.
11. Reinstall the tubing to the bottom of the ozonator.
12. Close the equipment compartment door.
13. Reconnect power to the spa.

DOS AND DON'TS

- DO add all chemicals slowly into the filter compartment with the jet pump operating for ten minutes.
- DO use special care if using baking soda to clean either the interior or exterior plastic surfaces.
- DON'T use swimming pool (muriatic) acid to lower pH.
- DON'T use compressed sanitizers.

The use of bromine sticks or tablets in floater, which may become entrapped in a lounge or cooling seat (or sink to the spa floor), have been shown to cause discoloration of or surface distress to a spa's shell.

- DON'T use a floater type sanitization system as a low or no maintenance solution to your spa maintenance program.

The spa shell easily can withstand the effects of a properly administered sanitizer. Floating dispensers can become trapped in one area and cause an over-sanitization (or chemical burn) of that particular area.

If the dispenser setting is too high, the high concentration can discolor the spa shell and damage the underside of the cover.

Automatic floating dispensers have a tendency to either over-brominate or under-brominate as the rate of erosion varies greatly. Damage to the spa and cover can occur very quickly.

⚠ **WARNING:** Watkins Manufacturing Corporation **DOES NOT** recommend the use of any floating chemical dispenser. Damage to the spa shell or components caused by a floating chemical dispenser is specifically not covered under the terms of the limited warranty.

- DON'T use a sanitizer which is not designed for spas.
- DON'T use household bleach (liquid sodium hypochlorite).
- DON'T broadcast or sprinkle the chemicals onto the water surface. This method may cause chemically-induced spa surface blistering (chemical abuse).

COMMON WATER CHEMISTRY QUESTIONS

Question: Why can't I use a floater to sanitize my spa water?

Answer: Watkins Manufacturing Corporation does not recommend the use of a floater for three reasons:

1. The floater is unable to control the rate at which the sanitizer is dissolved into the water. When a floater is first placed in a spa, the sanitizer level can be extremely high. High sanitizer levels can chemically burn or discolor the spa's shell or the underside of the cover. Then, after a period of time, the sanitizer level dispensed by the floater will fall to near zero. A low sanitizer level will allow viruses, bacteria or algae to grow.
2. Floater tend to stay in one area of the spa most of the time (usually over the cool down seat), causing this area to be exposed to extreme sanitizer levels.
3. The floater may allow pieces of the highly concentrated sanitizer to fall out and settle on the floor or seat of the spa shell. These pieces of sanitizer will chemically burn (blister) the spa shell. Although your spa shell is specifically designed to resist the effects of spa chemicals, no spa surface can withstand this type of highly concentrated chemical. Remember, chemical abuse is specifically not covered under the terms of the warranty.

Question: When I open my spa, I smell chlorine. How do I get rid of this smell?

Answer: There are two types of chlorine in your spa. The first is the Free Available Chlorine (FAC), which is the chlorine available to sanitize your spa. This type of chlorine does not have an odor. The second is Chloramine, which is residue from chlorine already expended. Chloramines have a strong chlorine odor. The smell from Chloramines can be eliminated by “shocking” the water. If you smell chlorine in the water, your spa is reminding you to add a shock treatment.

Question: Why can't I fill my spa with soft water?

Answer: Soft water is essentially the same as regular water except that most or all of the calcium has been replaced by sodium. Soft water may be corrosive to the heater and other components. Replacement of spa components damaged by soft water is extremely expensive.

Question: I am trying to reduce the number of chemicals to which my family is exposed. Do I really need to use so many chemicals and in such large amounts?

Answer: While over-exposure to any chemical can be unhealthy, many low levels of chemicals are effective and beneficial. In the case of spa water, the chemicals recommended in the *Hot Spring* water maintenance program are needed to protect the user from water-borne pathogens (disease-causing microbes) and to prevent corrosion of spa components. The *EverFresh* water care system minimizes the use of chemicals with harsh side effects, such as halogen sanitizers.

Question: Why isn't water chemistry damage covered by the warranty?

Answer: The chemical levels and water quality of the water in the spa are under your direct control. With proper basic care, the spa will provide many years of hot water relaxation. If you are unsure about any chemical or its usage in the spa, contact your Authorized Dealer, or Watkins Manufacturing Corporation.

WATER TERMINOLOGY

The following chemical terms are used in this Water Quality and Maintenance section. Understanding their meaning will help you to better understand the water maintenance process.

Bromamines: Compounds formed when bromine combines with nitrogen from body oils, urine, perspiration, etc. Unlike chloramines, bromamines have no pungent odor, and are effective sanitizers.

Bromine: A halogen sanitizer (in the same chemical family as chlorine). Bromine is commonly used in stick, tablet, or granular form. See the DO's and DON'Ts of Spa Water Maintenance for additional information.

Calcium Hardness: The amount of dissolved calcium in the spa water. This should be approximately 150-200 ppm. High levels of calcium can cause cloudy water and scaling. Low levels can cause harm to the spa equipment.

Chloramines: Compounds formed when chlorine combines with nitrogen from body oils, urine, perspiration, etc. Chloramines can cause eye irritation as well as having a strong odor. Unlike bromamines, chloramines are weaker, slower sanitizers.

Chlorine: An efficient sanitizing chemical for spas. Watkins Manufacturing Corporation recommends the use of sodium dichlor-type granulated chlorine. This type is preferred because it is totally soluble and nearly pH neutral.

Chlorine (or Bromine) Residual: The amount of chlorine or bromine remaining after chlorine or bromine demand has been satisfied. The residual is, therefore, the amount of sanitizer which is chemically available to kill bacteria, viruses and algae.

Corrosion: The gradual wearing away of metal spa parts, usually caused by chemical action. Generally, corrosion is caused by low pH or by water with levels of TA, CH, pH or sanitizer which are outside the recommended ranges.

DPD: The preferred reagent used in test kits to measure the Free Available Chlorine.

Halogen: Any one of these five elements: fluorine, chlorine, bromine, iodine, and astatine.

MPS: Monopersulfate is the non-chlorine oxidizer used with the *FreshWater_{Ag+}* silver ion purification system.

Nitric Acid: The formulation of nitric acid, a highly corrosive chemical, is a byproduct of the ozone generating process. Nitric acid is produced in very small quantities and is readily dissolved in the water stream with ozone.

Oxidizer: The use of an oxidizing chemical is to prevent the buildup of contaminants, maximize sanitizer efficiency, minimize combined chlorine and improve water clarity.

Ozone: Ozone is a powerful oxidizing agent which is produced in nature and artificially by man. Ozone forms no byproducts of chloramines (ozone actually oxidizes chloramines) and will not alter the water's pH.

Pathogen: A microorganism such as bacterium that cause disease.

pH: The measure of the spa water's acidity and alkalinity. The recommended pH for the spa water is 7.4 to 7.6. Below 7.0 (considered neutral), the spa water is too acidic and can damage the heating system. Above 7.8, the water is too alkaline and can result in cloudy water, and scale formation on the shell and heater.

ppm: The abbreviation of “parts per million”, the standard measurement of chemical concentration in water. Identical to mg/l (milligrams per liter).

Reagent: A chemical material in liquid, powder, or tablet form for use in chemical testing.

Sanitizer: Sanitizers are added and maintained at recommended residuals to protect bathers against pathogenic organisms which can cause disease and infection in spa water.

Scale: Rough calcium-bearing deposits that can coat spa surfaces, heaters, plumbing lines, and clog filters. Generally, scaling is caused by mineral content combined with high pH. Additionally, scale forms more readily at higher water temperatures.

Super-Chlorination: Also known as “shock treatment.” Super-Chlorination is a process of adding significant doses of a quick dissolving sanitizer (“dichlor” is recommended) to oxidize non-filterable organic waste and to remove chloramines and bromamines.

Total Alkalinity: The amount of bicarbonates, carbonates, and hydroxides present in spa water. Proper total alkalinity is important for pH control. If the TA is too high, the pH is difficult to adjust. If the TA is too low, the pH will be difficult to hold at the proper level. The desired range of TA in spa water is 125 to 150 ppm.

SERVICE INFORMATION

GENERAL INFORMATION

Your *Hot Spring* spa has been designed to provide years of trouble-free use. As with any appliance, problems may occasionally occur that require the expertise of a qualified service person. Though such simple repairs as resetting a GFCI switch or breaker, resetting a high limit thermostat or replacing a light bulb may not require a service call, they may indicate that a more serious condition exists. These conditions may require an experienced service person. Before calling for service, please refer to the Troubleshooting Guide.

NOTE: Always retain your original sales receipt for future reference.

GFCI AND HIGH LIMIT THERMOSTAT

If your spa fails to operate at any time, first check the power supply to the spa.

Check each of the GFCI breakers in the subpanel. If a GFCI has tripped, reset it. If it will not reset, this may be an indication of a ground fault (short circuit) within the electrical components. Contact an Authorized Service Technician for a complete diagnosis.

If upon checking the GFCI's you find that they have not tripped, check the house breaker panel and ensure the main breaker for the electrical circuit supplying the spa has not tripped. If it has, this is an indication that the circuit was either overloaded or a ground fault exists between the breaker panel and the spa receptacle or subpanel. Contact a qualified electrician.

If upon checking the main house breaker and spa GFCI's you find no failures, check the high limit thermostat. To check it, simply turn off power to the spa for 30 seconds. This will automatically reset the high limit thermostat if it has tripped. If the spa energizes once you turn the power back on, this indicates reduced water flow through the heating system. Tripping of the high limit thermostat is normally a result of one or a combination of these problems: 1) clogged filter cartridge(s), 2) blockage within the system plumbing, 3) a non-functioning heater circulation pump, 4) power was not disconnected from the spa before it was drained, 5) an air lock in the plumbing lines. (The Power Indicator on the front of the spa's control panel will also be blinking if the high limit thermostat circuit has tripped.)

If the spa does not function after tripping and resetting the GFCI's or resetting the high limit thermostat, then the problem should be referred to an Authorized Service Technician. Refer to the Heater section if the spa operates but does not heat, or refer to the Troubleshooting Guide for additional service information.

NO-FAULT HEATER AND INTEGRATED PRESSURE SWITCH

Watkins Manufacturing Corporation unconditionally warrants the *No-Fault* heater against any failure that would require replacement. This warranty's duration is equal to the time period identified in the Component Warranty. This warranty defines unconditional as warranty coverage without exception provided that the component has failed to operate properly within the spa's system. This means that conditions that would normally invalidate the limited warranty, such as water chemistry damage, do not apply to the *No-Fault* heater.

It is important to note that the *No-Fault* heater is protected by both the heater high limit thermostat circuit and the integrated pressure switch. The causes of heater high limit tripping are discussed in the previous section.

If the spa is not heating, the red and green lights are blinking, but the pump and light are operating, then the pressure switch may be open. Opening of the pressure switch is normally a result of one or a combination of these problems: 1) a clogged filter cartridge, 2) blockage within the system plumbing, 3) power was not disconnected to the spa before it was drained, or 4) an air lock in the plumbing lines. Once the problem has been identified and corrected the pressure switch will close which will energize the heater.

SILENT FLO 5000 CIRCULATION PUMP AND CIRCULATION PUMP THERMAL CUT-OFF

The *Hot Spring Silent Flo 5000* circulation pump is a dedicated, water cooled, energy efficient, quiet pump that provides continuous filtration for the spa. Since the *Silent Flo 5000* pump is water cooled, it is equipped with a thermal cut-off to prevent the pump from being damaged by running hot when water is not present.

Reset the circulation pump's thermal cut-off by disconnecting power to the spa and allowing the pump to cool.

Tripping of the thermal cut-off is normally the result of one or a combination of these problems: 1) clogged filter cartridge(s), 2) blockage within the system plumbing, 3) power was not disconnected to the spa before it was drained, or 4) an air lock in the plumbing lines. Once the problem has been identified and corrected the pump thermal cut-off will be able to be reset which will allow it to operate normally.

FRESHWATER III HIGH OUTPUT OZONE SYSTEM

The *FreshWater III* ozone system is practically maintenance-free because it is located within the spa's equipment compartment. If bubbles are appearing at the spa's heater return but the smell of ozone is not noticeable (the water may also appear not as clear as usual) then the operation of the ozone generator should be checked. Carefully open the equipment compartment door (remember to use care, as power is still connected to the spa).

⚠ **WARNING:** Contact your *Hot Spring* dealer if your spa requires troubleshooting beyond the scope of this manual. *Freshwater III* ozone systems should only be serviced by a qualified technician.

WARRANTY NOTE: Cleaning of the ozone injector is not covered under the warranty. Refer to the Ozone section of this manual for ozone injector cleaning instructions.

MISCELLANEOUS SERVICE INFORMATION

The control and high-limit thermostats are equipped with electronic sensors that are connected to the spa's plumbing. Never cut or kink the wires that connect the sensors to the thermostats within the control box.

The jet pump is equipped with a thermal overload cutoff switch that is designed to protect the pump from overheating. If the pump shuts itself off in an older spa, it could indicate failure of the pump motor bearings. If the pump shuts itself off in a new spa, it is usually the result of one or a combination of the following factors:

- Thermal overload: Although mass-produced, not all thermal overload cutoffs are exactly the same. Some are more sensitive than others and will shut the pump off at lower temperatures.
- High temperature: All *Hot Spring* spa models are equipped with a jet pump shroud that vents the heat generated by the pump motor to the outside of the equipment compartment, and back into the spa water. If the vent is blocked by masonry, grass or debris, overheating of the jet pump may occur. Once the pump motor has cooled sufficiently and any blockage has been removed from the vent opening, the jet pump can be restarted.
- Friction: Sometimes the moving parts of a new pump are tight enough to cause heat build-up due to friction. After a normal break-in period, the pump will run cooler.
- Improper wiring: If the spa is connected with an extension cord, and/or the house wiring is undersized, the pump may starve for voltage and therefore may draw more amperage and generate excessive heat.
- If the pump is shutting down due to excessive heat, make sure the equipment compartment has adequate ventilation. The air gap at the bottom must not be blocked. Should your jet pump continue to shut off after short periods of use, contact a qualified service technician.

ACTS INVALIDATING WARRANTY

The limited warranty is void if the *Hot Spring* spa has been improperly installed, subjected to alteration, misuse, or abuse, or if any repairs on the spa are attempted by anyone other than an authorized representative of Watkins Manufacturing Corporation. Alteration shall include any component or plumbing change, electrical conversion, or the addition of any non-approved sanitation or water purification device, or heating system which contributes to component or unit failure or unsafe operating system. Misuse and abuse shall include: Any operation of the spa other than in accordance with Watkins Manufacturing Corporation's printed instructions, or use of the spa in an application for which it is not designed. Specifically: Use of the spa in a non-residential application; damage caused by operation* of the spa outside the specified voltage requirements (240V ±10%) or operation of the spa at water temperatures outside the range of 1.7°C (35°F) and 49°C (120 °F); damage caused by voltage spikes or "brown out" conditions; damage caused by dirty, clogged or calcified filter cartridges (see Spa Care and Maintenance instructions in this Owner's Manual); damage to the spa surface caused by the use of tri-chloro chlorine, BCDMH, chemical tablets in a floater, acid, or any other spa sanitizing chemicals or spa surface cleaners which are not recommended by Watkins Manufacturing Corporation; damage to components (excluding the *No-Fault-1500* heater) or spa surface caused by improper pH balance or other improper water chemistry maintenance; and damage to the spa surface caused by leaving the spa uncovered while empty of water and in direct exposure to sunlight (this may cause solar heating distress) are considered abuses and may invalidate this warranty.

*Operation of the spa does not mean "use" of the spa! Watkins Manufacturing Corporation does not recommend using the spa if the water temperature is above or below the spa's control panel temperature range.

The filter lid on the spa is not designed to support heavy weight loads and should not be used as a seat. In extreme cases the lid could crack and break. This occurrence is considered abuse and is not covered under this warranty.

Acts of nature, and damage caused by animals, rodents, and insects are considered abuses and are not covered under this warranty.

DISCLAIMERS

Watkins Manufacturing Corporation shall not be liable for loss of use of the *Hot Spring* spa or other incidental, consequential, special, indirect, or punitive costs, expenses or damages, which may include but are not limited to the removal of a permanent deck or other custom fixture or the necessity for crane removal. Any implied warranty shall have a duration equal to the duration of the applicable limited warranty stated above. Some states do not allow limitations on how long an implied warranty lasts. Under no circumstances shall Watkins Manufacturing Corporation or any of its representatives be held liable for injury to any person or damage to any property, however arising.

Some states do not allow the exclusion or limitation of incidental or consequential damages, so the above limitations may not apply to you.

WATKINS CUSTOMER SERVICE

If you have any questions about any aspect of your *Hot Spring* spa set-up, operation or maintenance that have not been answered by this manual, consult your *Hot Spring* dealer.

TROUBLESHOOTING

Should you experience any problem whatsoever, do not hesitate to contact your authorized *Hot Spring* dealer. Here are some tips to help you to diagnose and rectify some more common sources of trouble yourself, if you choose to do so.

GENERAL OPERATION TROUBLESHOOTING GUIDE		
Problem	Probable causes	Solutions
Entire spa is inoperative	<ul style="list-style-type: none"> • Power failure • GFCI tripped • Heater high-limit thermostat tripped • Spa lock activated 	<ul style="list-style-type: none"> • Check power source • Reset GFCI; call for service if it will not reset • Disconnect power for at least thirty seconds to reset heater high limit. If it will not reset, check for clogged filters. If tripping continues, call for service. • Deactivate spa lock
Spa does not heat; jets and light operate (Green logo "Ready", and Blue logo "Power" indicators are blinking)	<ul style="list-style-type: none"> • Integrated pressure switch open • Circulation pump thermal cut-off tripped 	<ul style="list-style-type: none"> • Check for clogged filters. Integrated pressure switch will reset when the flow of water through the heater has been restored. Call for service if the heater trips frequently. • Check for clogged filters or air locks in plumbing. Disconnect power to the spa, allow circulation pump to cool. Circulation pump thermal cut-off will reset when pump has cooled and power is reapplied. Call for service if circulation pump thermal cut-off trips frequently.
Jets weak or surging	<ul style="list-style-type: none"> • Spa water level too low • Filters clogged • <i>Comfort Control</i> lever closed 	<ul style="list-style-type: none"> • Add water • Clean filters • Open <i>Comfort Control</i> lever
Light inoperative	<ul style="list-style-type: none"> • Spa lock activated • Light wiring or assembly is faulty 	<ul style="list-style-type: none"> • Deactivate spa lock • Replace light assembly
<i>Moto-Massage</i> jet inoperative or erratic	<ul style="list-style-type: none"> • <i>Comfort Control</i> valves closed • Filters clogged 	<ul style="list-style-type: none"> • Open <i>Comfort Control</i> levers • Clean filters
Blue Logo "Power" indicator blinking	<ul style="list-style-type: none"> • Heater high-limit thermostat tripped 	<ul style="list-style-type: none"> • Disconnect power for at least thirty seconds to reset heater high limit. If it will not reset, check for clogged filters. If tripping continues, call for service.
Green Logo "Ready" indicator blinking	<ul style="list-style-type: none"> • Temperature sensor problem 	<ul style="list-style-type: none"> • Disconnect power for at least thirty seconds. If blinking continues, call for service.

SPA WATER MAINTENANCE TROUBLESHOOTING GUIDE		
Problem	Probable causes	Solutions
Cloudy Water	<ul style="list-style-type: none"> • Dirty filters • Excessive oils / organic matter • Improper sanitization • Suspended particles / organic matter • Overused or old water 	<ul style="list-style-type: none"> • Clean filters • Shock spa with sanitizer • Add sanitizer • Adjust pH and/or alkalinity to recommended range • Run jet pump(s) and clean filters • Drain and refill the spa
Water Odor	<ul style="list-style-type: none"> • Excessive organics in water • Improper sanitization • Low pH 	<ul style="list-style-type: none"> • Shock spa with sanitizer • Add sanitizer • Adjust pH to recommended range
Chlorine Odor	<ul style="list-style-type: none"> • Chloramine level too high • Low pH 	<ul style="list-style-type: none"> • Shock spa with sanitizer • Adjust pH to recommended range
Musty Odor	<ul style="list-style-type: none"> • Bacteria or algae growth 	<ul style="list-style-type: none"> • Shock spa with sanitizer—if problem is visible or persistent, drain, clean and refill the spa
Organic buildup / scum ring around spa	<ul style="list-style-type: none"> • Build-up of oils and dirt 	<ul style="list-style-type: none"> • Wipe off scum with clean rag – if severe, drain the spa, use a spa surface and tile cleaner to remove the scum, and refill the spa
Algae Growth	<ul style="list-style-type: none"> • High pH • Low sanitizer level 	<ul style="list-style-type: none"> • Shock spa with sanitizer and adjust pH • Shock spa with sanitizer and maintain sanitizer level
Eye Irritation	<ul style="list-style-type: none"> • Low pH • Low sanitizer level 	<ul style="list-style-type: none"> • Adjust pH • Shock spa with sanitizer and maintain sanitizer level
Skin Irritation / Rash	<ul style="list-style-type: none"> • Unsanitary water • Free chlorine level above 5 ppm 	<ul style="list-style-type: none"> • Shock spa with sanitizer and maintain sanitizer level • Allow free chlorine level to drop below 5 ppm before spa use
Stains	<ul style="list-style-type: none"> • Total alkalinity and/or pH too low • High iron or copper in source water 	<ul style="list-style-type: none"> • Adjust total alkalinity and/or pH • Use a metal deposit inhibitor
Scale	<ul style="list-style-type: none"> • High calcium content in water – total alkalinity and pH too high 	<ul style="list-style-type: none"> • Adjust total alkalinity and pH – if scale requires removal, drain the spa, scrub off the scale, refill the spa and balance the water

SPA CARE AND MAINTENANCE RECORD

Date	<i>Drain and Clean Spa</i>	<i>Spray Clean Filter Cartridge</i>	<i>Soak Filter Cartridge</i>	<i>Maintain Everwood Spa Cabinet</i>	<i>Clean and Condition Vinyl Spa Cover</i>	<i>Winterize Spa</i>	<i>Miscellaneous Service</i>

This manual contains installation, operating, maintenance and service information for the following 2009 *Hot Spring* spa models:

MODELS	EFFECTIVE DATE
<i>SUMMIT</i> (MODEL SSE)	5/09
<i>GRANDEE</i> (MODEL GGE)	5/09
<i>ENVOY</i> (MODEL KKE)	5/09
<i>ARIA</i> (MODEL ARE)	5/09
<i>VANGUARD</i> (MODEL VVE)	5/09
<i>SOVEREIGN</i> (MODEL IIE)	5/09
<i>PRODIGY</i> (MODEL HE)	5/09
<i>JETSETTER</i> (MODEL JJE)	5/09



©2009 Watkins Manufacturing Corporation. Hot Spring, Moto-Massage, Summit, Grandee, Envoy, Vanguard, Sovereign, Aria, Jet-Cluster, SmartJet, Comfort Control, No-Fault, IQ 2020, Wavemaster, Silent Flo-5000, Soothing Seven, JetStream, Precision, Everwood, CoverCradle, UpRite, GlideRite, Lift 'n Glide, EverFresh, FreshStart, FreshWater, FreshWater_{Ag+}, Tri-X, HydroStream, Luminescence, BellaFontana, AutoFresh, FreshStart_{10,000} and The Home Relaxation Specialists are trademarks of Watkins Manufacturing Corporation. Baqua Spa is a trademark of Arch UK Biocides Limited. Brominating Concentrate™ is a trademark of Bio-Lab Inc. iCast is a trademark of Soundcast, iPod is a trademark of Apple, Inc.



Watkins Manufacturing Corporation
Vista, California USA